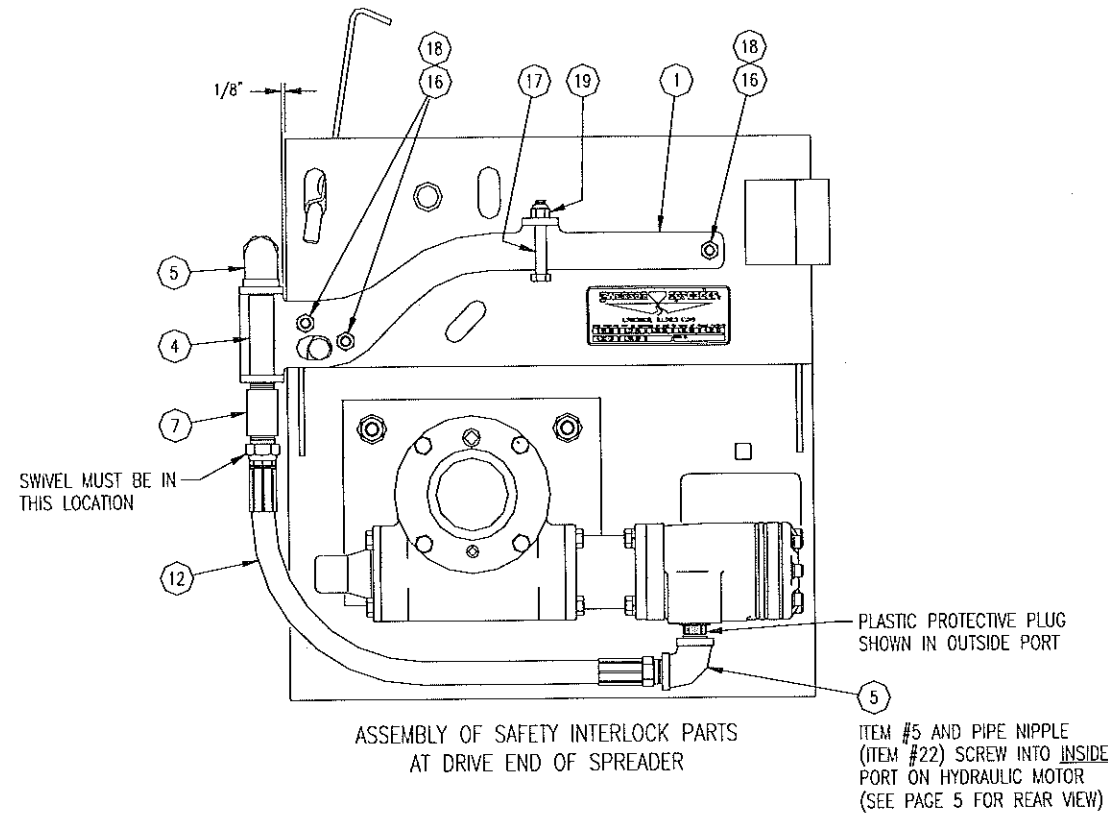
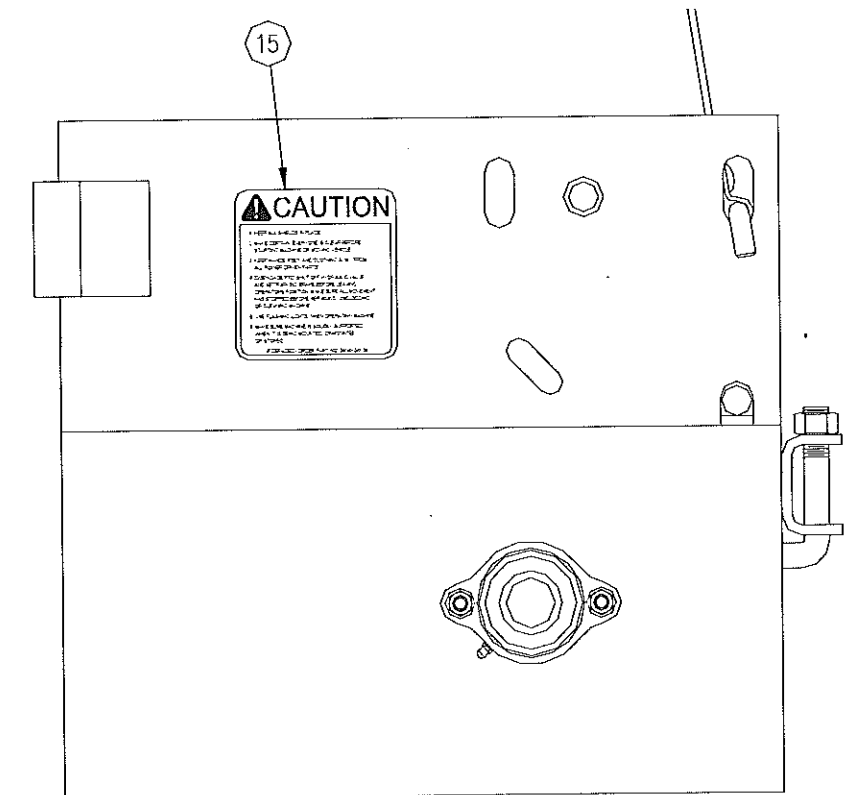
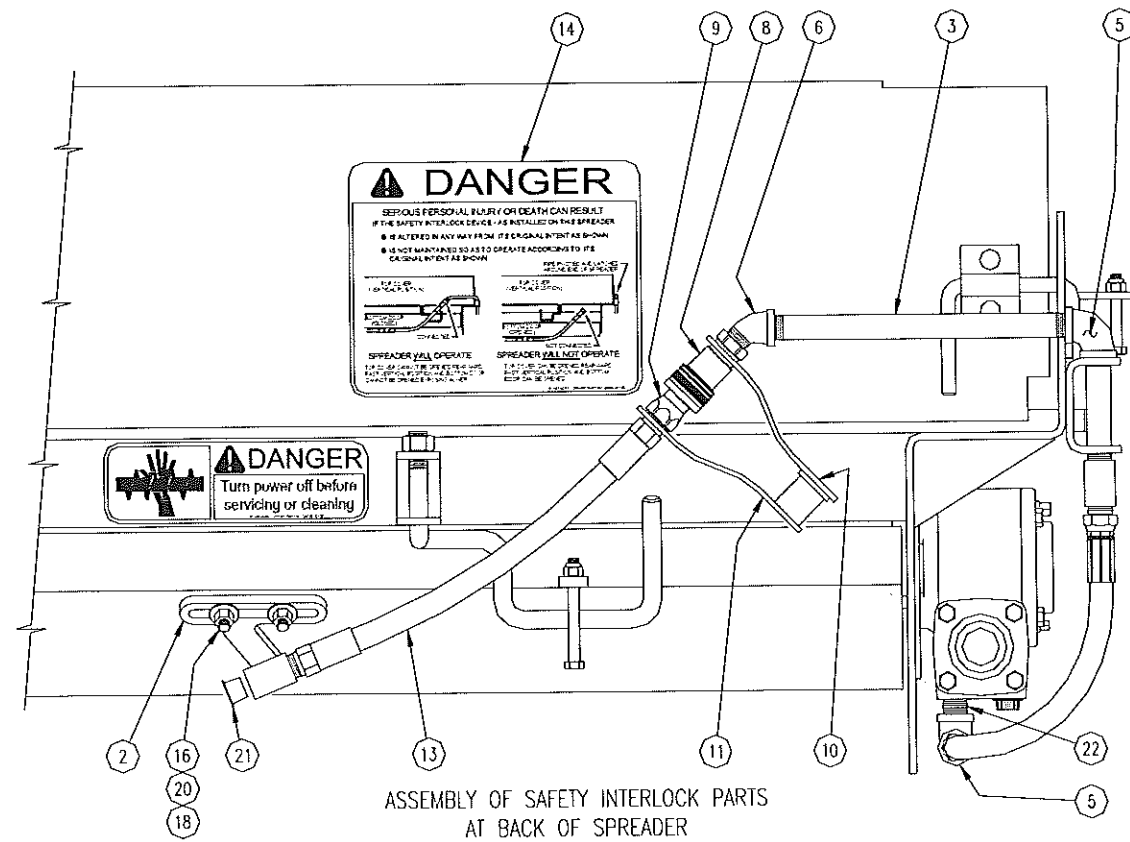


FOR MODEL "SAG" TAILGATE SPREADERS

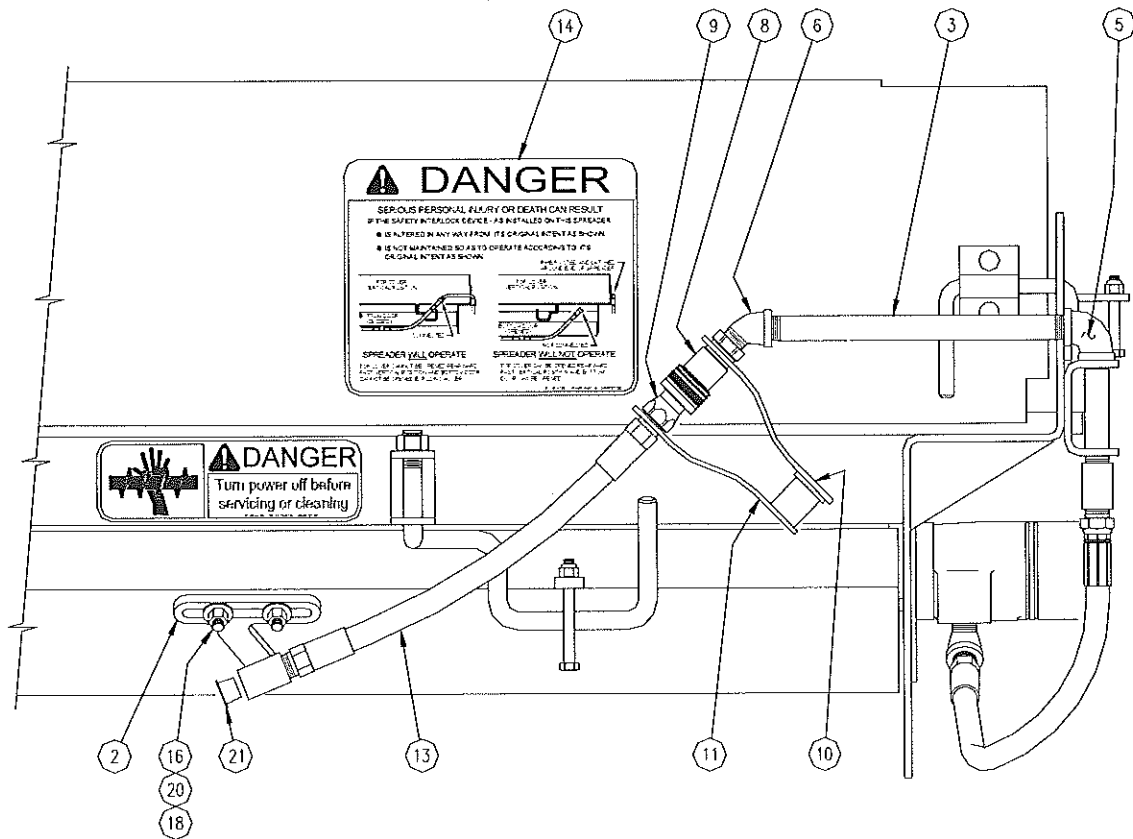
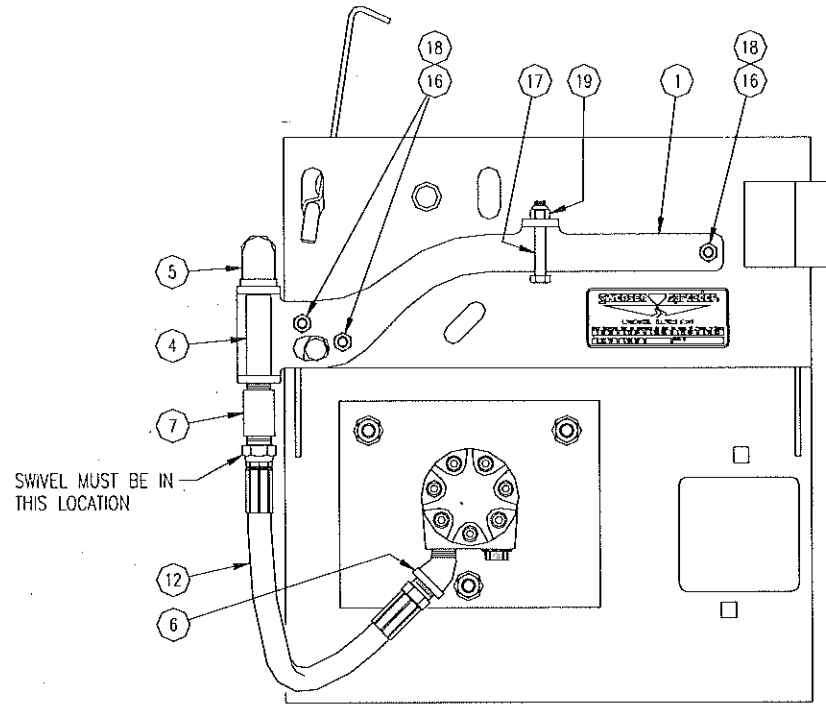


FOR MODEL "SAG" TAILGATE SPREADERS

Item	Part Number	Qty.	Description
1	00117-033-01	1	Bar, Pipe Support
2	00117-035-01	1	Weldment, Coupling Plate
3	00110-444-54	1	Pipe, 1/2" x 11" Threaded
4	04110-027-10	1	Pipe, 1/2" x 4 1/2"
5	04110-004-04	2	Elbow, 1/2" x 90 Degree
6	04110-007-04	1	Elbow, 1/2" x 45 Degree Street
7	04110-003-04	1	Coupling, 1/2"
8	04119-110-00	1	Quick Disconnect, 1/2" Female
9	04119-111-00	1	Quick Disconnect, 1/2" Male
10	04118-019-00	1	Dust Plug, 1/2"
11	04118-043-00	1	Dust Cap, 1/2"
12	04120-003-45	1	Hose, 1/2" x 21" (1) Wire
13	04120-020-13	1	Hose, 1/2" x 17" (1) Wire
14	04049-371-00	1	Decal, Safety Interlock
15	04049-045-00	1	Decal, Caution
16	04003-003-20	5	Bolt, 3/8"-16 x 1" HH Stainless Steel
17	04003-003-21	1	Bolt, 3/8"-16 x 2 1/2" HH Stainless Steel
18	04003-807-18	5	Locknut, 3/8"-16 Center Lock Stainless Steel
19	04003-804-08	1	Locknut, 3/8"-16 Nylon Insert Stainless Steel
20	04004-002-20	2	Flatwasher, 3/8" U.S.S. Stainless Steel
21	04111-009-00	1	Plug, Plastic (For 1/2" NPT Female Thread)
22	04110-027-01	1	Nipple, 1/2" Close
23	00117-702-03	1	Instructions, Safety Interlock(SAG)



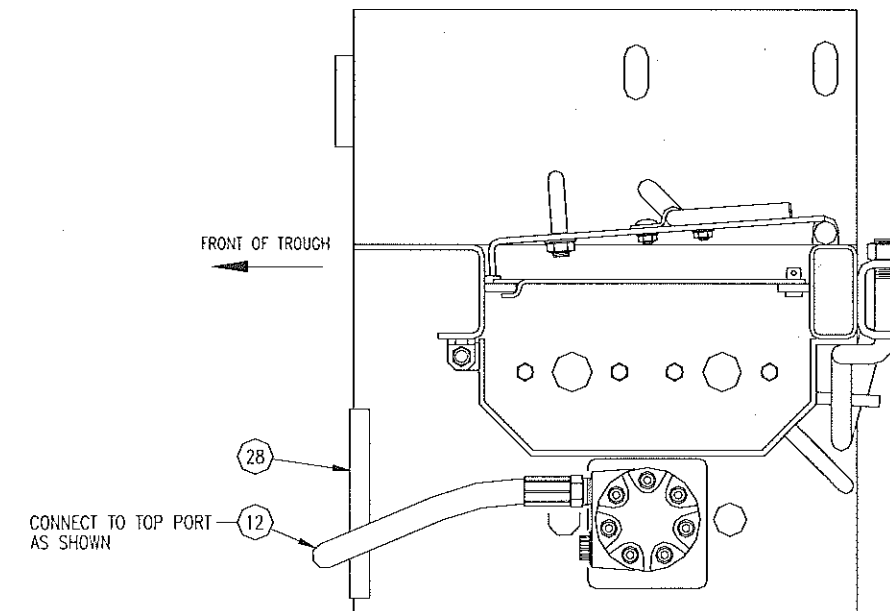
FOR MODEL "SAD" TAILGATE SPREADERS



Z:\00117\70202SADSAF

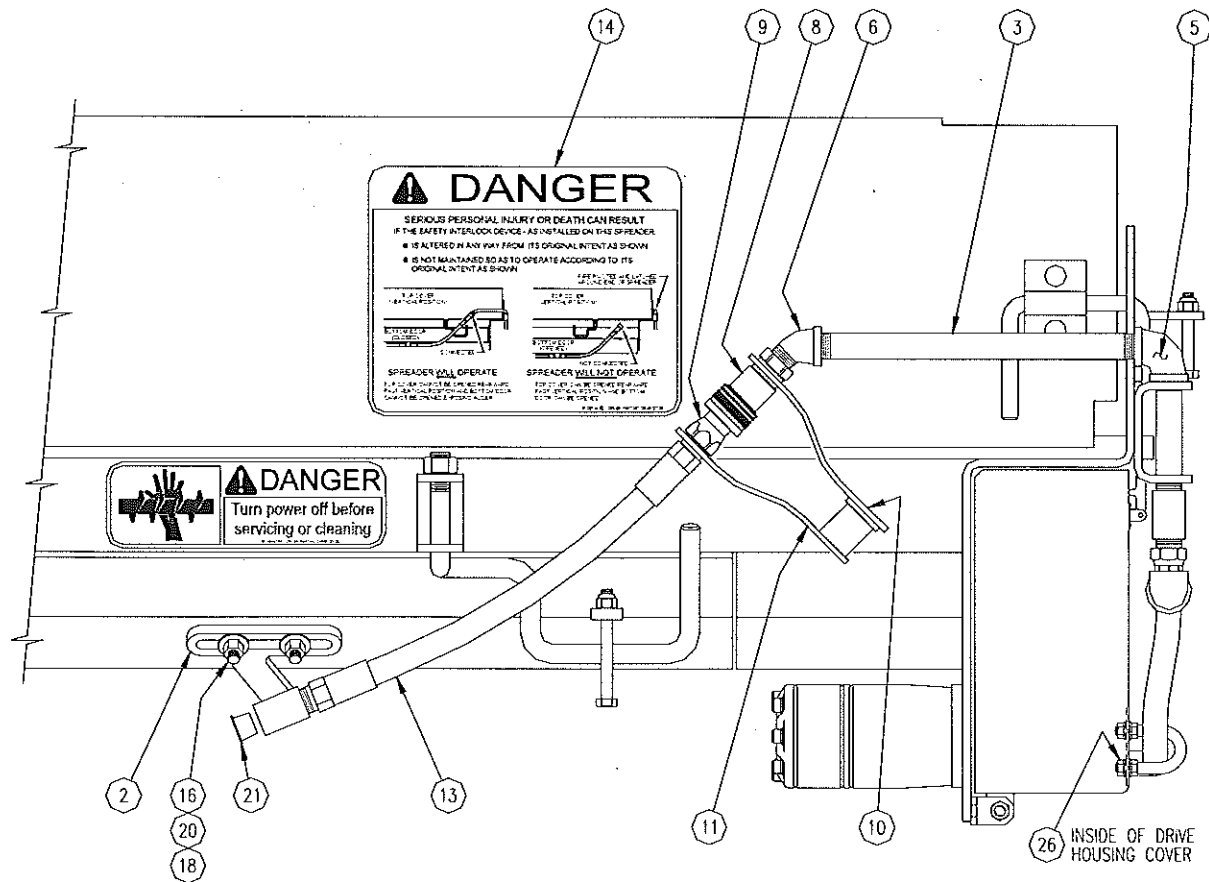
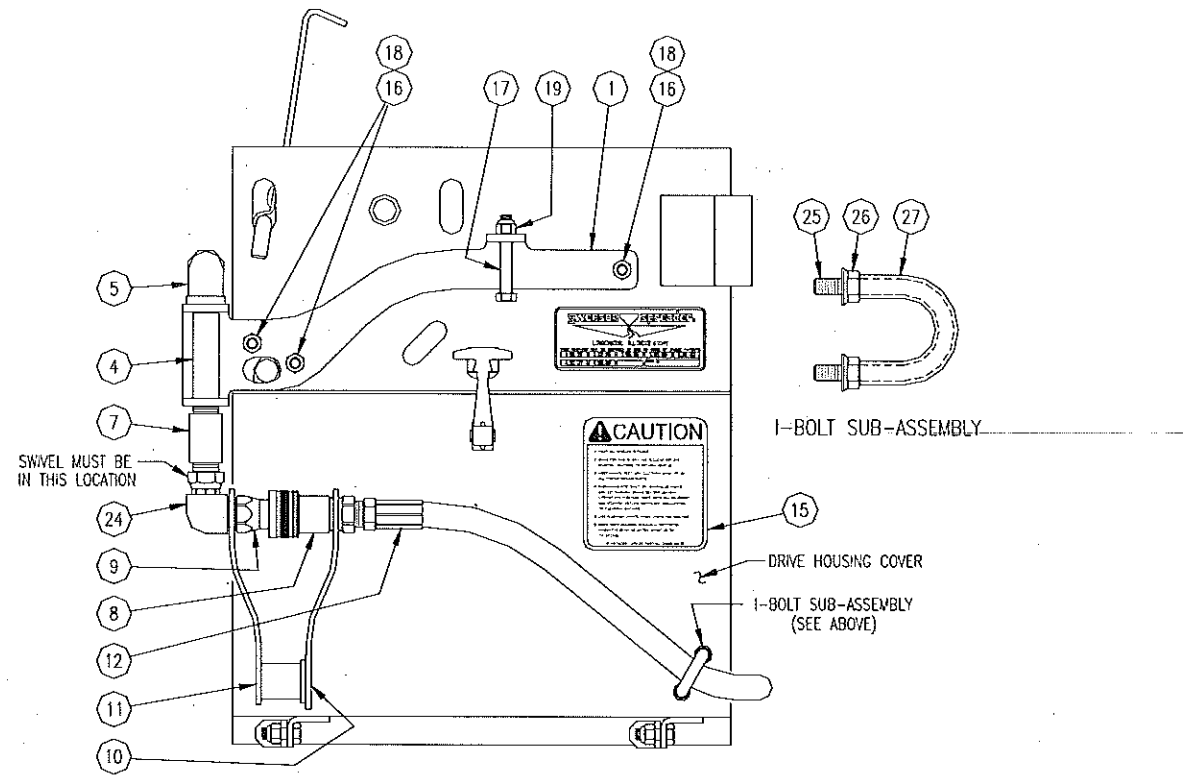
FOR MODEL "ST" TAILGATE SPREADERS

Item	Part Number	Qty.	Description
1	00117-628-01	1	Bar, Pipe Support
2	00117-035-01	1	Weldment, Coupling Plate
3	00110-444-54	1	Pipe, 1/2" x 11" Threaded
4	04110-027-10	1	Pipe, 1/2" x 4 1/2"
5	04110-004-04	1	Elbow, 1/2" x 90 Degree
6	04110-007-04	1	Elbow, 1/2" x 45 Degree Street
7	04110-003-04	1	Coupling, 1/2"
8	04119-110-00	2	Quick Disconnect, 1/2" Female
9	04119-111-00	2	Quick Disconnect, 1/2" Male
10	04118-019-00	2	Dust Plug, 1/2"
11	04118-043-00	2	Dust Cap, 1/2"
12	04120-020-05	1	Hose, 1/2" x 29" (1) Wire
13	04120-020-13	1	Hose, 1/2" x 17" (1) Wire
14	04049-371-00	1	Decal, Safety Interlock
15	04049-045-00	1	Decal, Caution
16	04003-003-20	5	Bolt, 3/8"-16 x 1" HH Stainless Steel
17	04003-003-21	1	Bolt, 3/8"-16 x 2 1/2" HH Stainless Steel
18	04003-807-18	5	Locknut, 3/8"-16 Center Lock Stainless Steel
19	04003-804-08	1	Locknut, 3/8"-16 Nylon Insert Stainless Steel
20	04004-002-20	2	Flatwasher, 3/8" U.S.S. Stainless Steel
21	04111-009-00	1	Plug, Plastic (For 1/2" NPT Female Thread)
24	04121-004-06	1	Adapter, Swivel (1/2" Male Swivel x 1/2" Male Solid x 90 Degree)
25	04048-509-03	1	U-Bolt, 1/4"
26	04003-806-15	4	Nut, 1/4"-20 Serrated Flange, Stainless Steel
27	04610-012-00	1	Tubing, 1/4" ID x 3/8" OD Clear PVC (3 1/2")
28	04093-021-00	1	Trim, Vinyl (6")
29	00117-702-04	1	Instructions, Safety Interlock (ST)



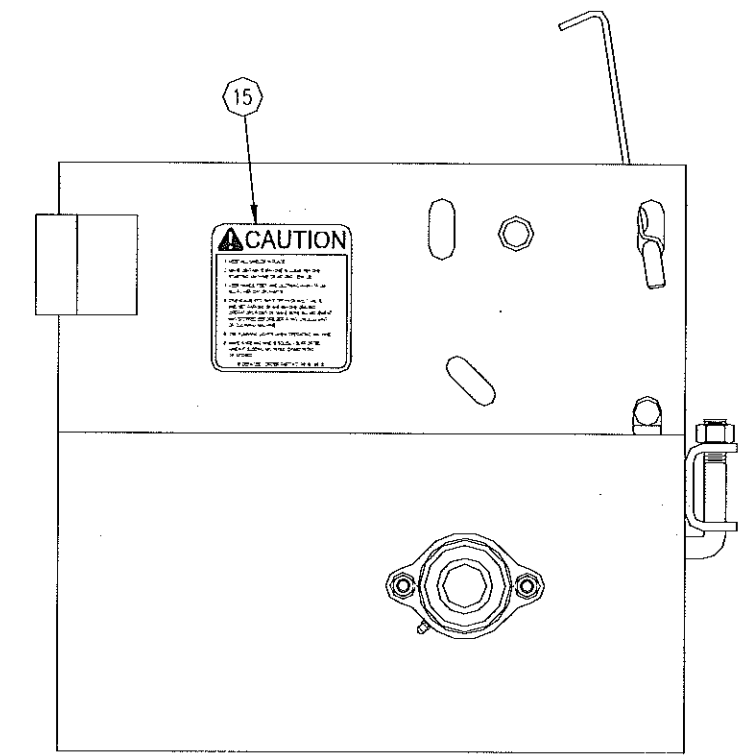
Z:\00117\70204STSAF

FOR MODEL "ST" TAILGATE SPREADERS



FOR MODEL "SAD" TAILGATE SPREADERS

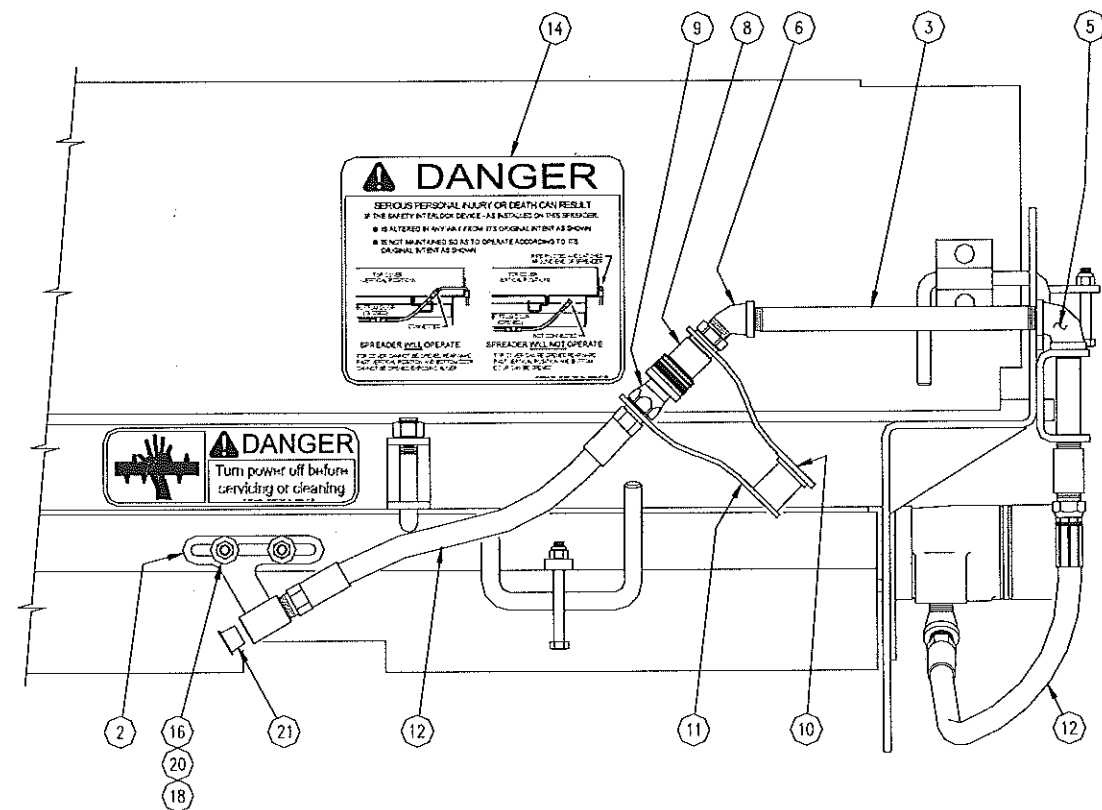
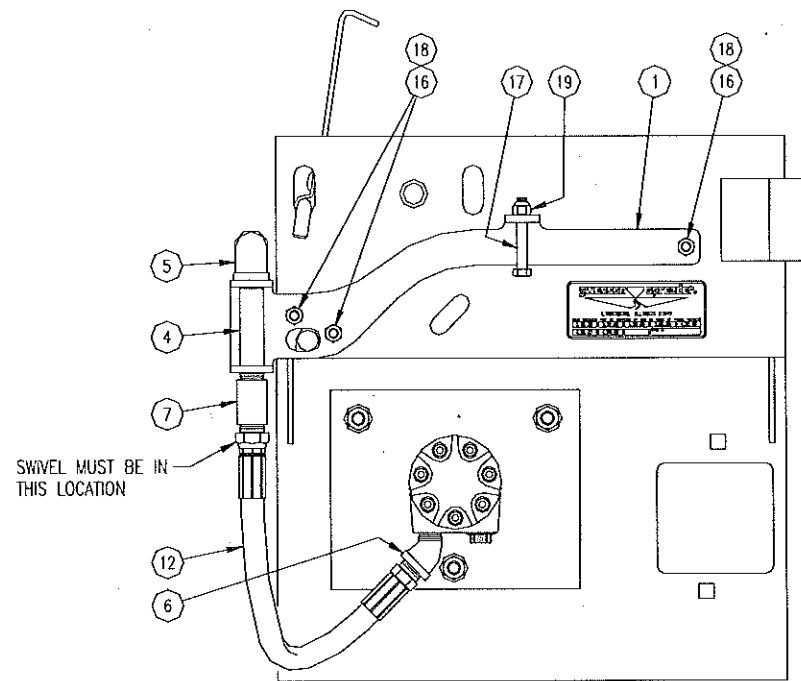
Item	Part Number	Qty.	Description
1	00117-033-01	1	Bar, Pipe Support
2	00117-035-01	1	Weldment, Coupling Plate
3	00110-444-54	1	Pipe, 1/2" x 11" Threaded
4	04110-027-10	1	Pipe, 1/2" x 4 1/2"
5	04110-004-04	1	Elbow, 1/2" x 90 Degree
6	04110-007-04	2	Elbow, 1/2" x 45 Degree Street
7	04110-003-04	1	Coupling, 1/2"
8	04119-110-00	1	Quick Disconnect, 1/2" Female
9	04119-111-00	1	Quick Disconnect, 1/2" Male
10	04118-019-00	1	Dust Plug, 1/2"
11	04118-043-00	1	Dust Cap, 1/2"
12	04120-003-44	1	Hose, 1/2" x 15" (1) Wire
13	04120-020-13	1	Hose, 1/2" x 17" (1) Wire
14	04049-371-00	1	Decal, Safety Interlock
15	04049-045-00	1	Decal, Caution
16	04003-003-20	5	Bolt, 3/8"-16 x 1" HH Stainless Steel
17	04003-003-21	1	Bolt, 3/8"-16 x 2 1/2" HH Stainless Steel
18	04003-807-18	5	Locknut, 3/8"-16 Center Lock Stainless Steel
19	04003-804-08	1	Locknut, 3/8"-16 Nylon Insert Stainless Steel
20	04004-002-20	2	Flatwasher, 3/8" U.S.S. Stainless Steel
21	04111-009-00	1	Plug, Plastic (For 1/2" NPT Female Thread)
28	00117-702-02	1	Instructions, Safety Interlock (SAD)



CAUTION DECAL AT LEFT END OF SPREADER

Z:\00117\70202SADSAF

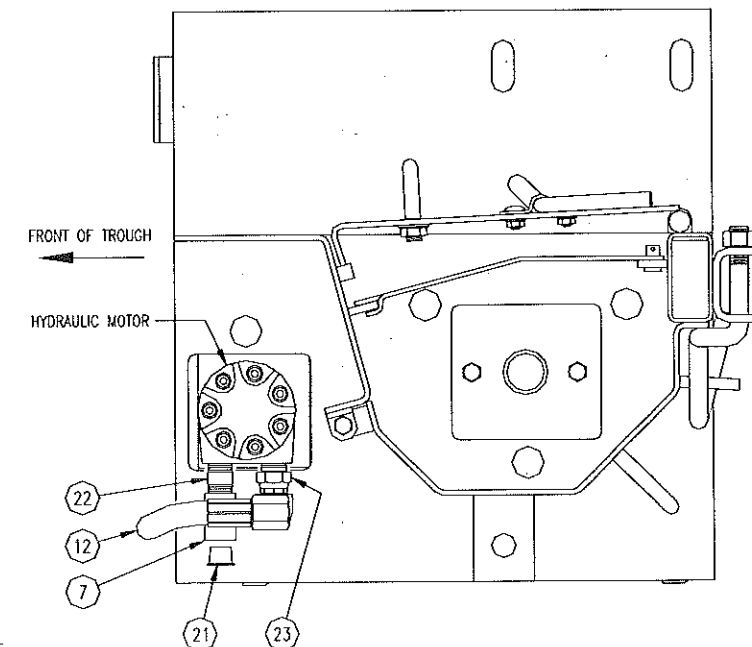
FOR MODEL "SD" (DIRECT DRIVE) TAILGATE SPREADERS



Z:\00117\70207SDS4F

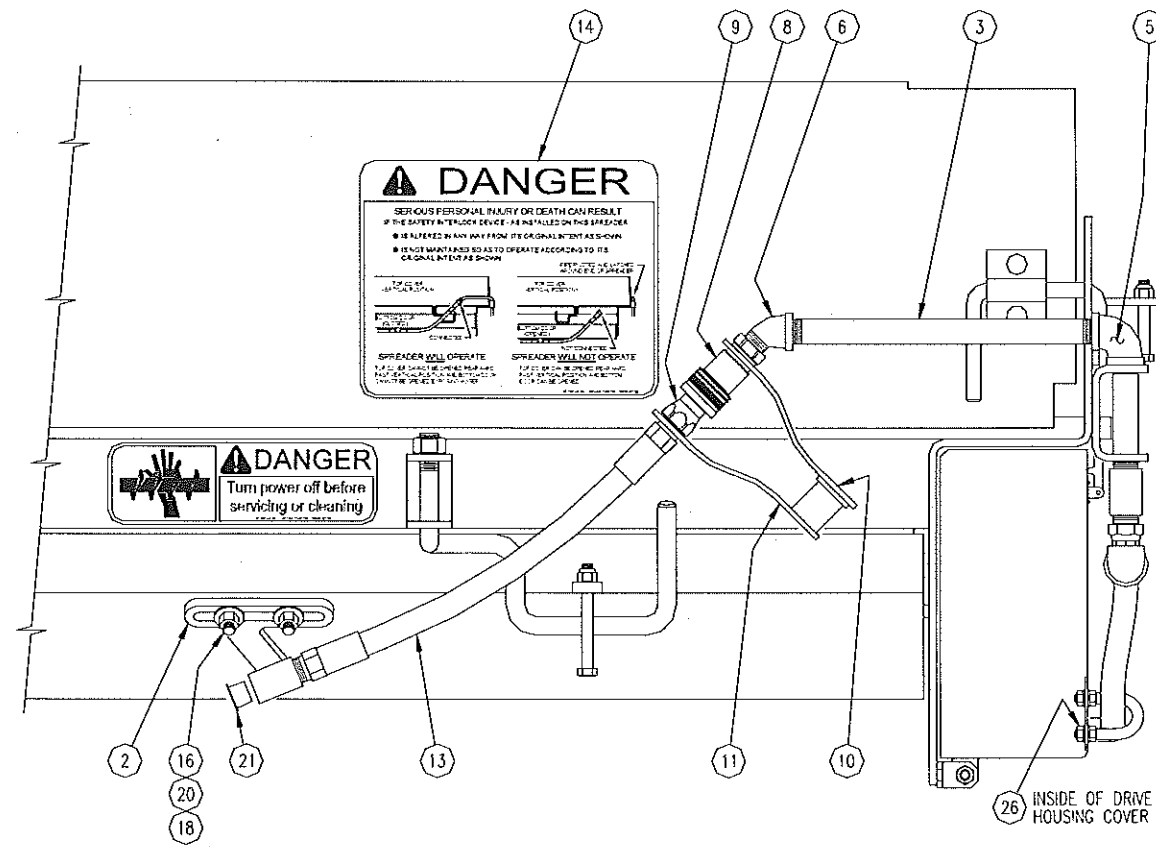
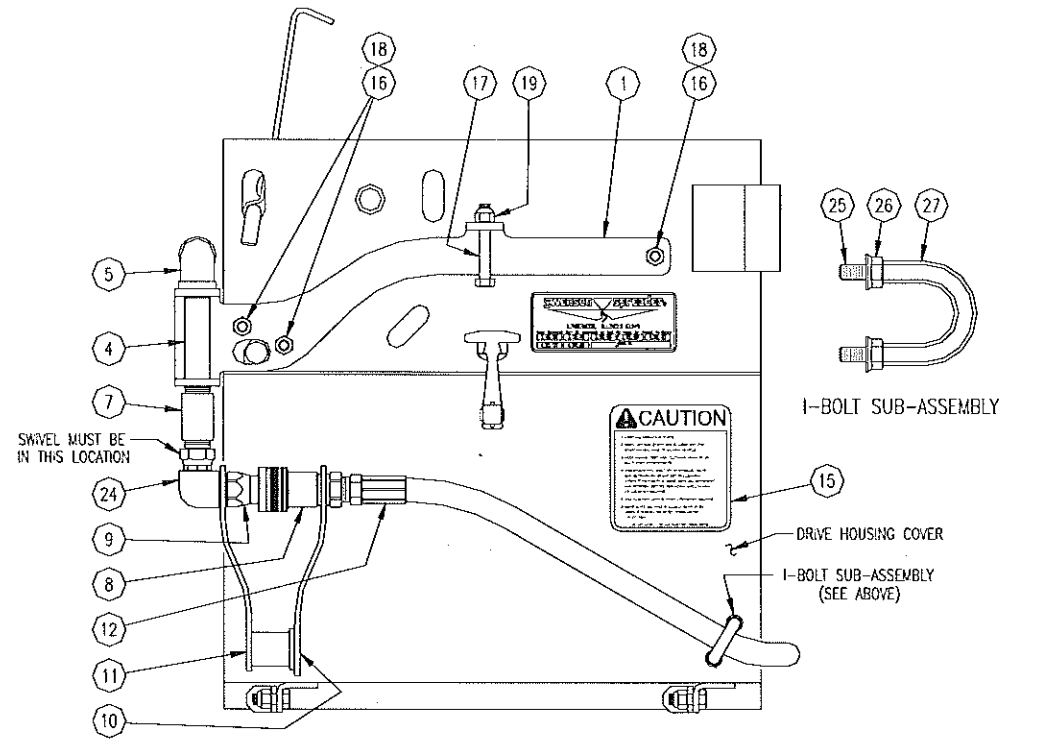
FOR MODEL "SA" TAILGATE SPREADERS

Item	Part Number	Qty.	Description
1	00117-033-01	1	Bar, Pipe Support
2	00117-035-01	1	Weldment, Coupling Plate
3	00110-444-54	1	Pipe, 1/2" x 11" Threaded
4	04110-027-10	1	Pipe, 1/2" x 4 1/2"
5	04110-004-04	1	Elbow, 1/2" x 90 Degree
6	04110-007-04	1	Elbow, 1/2" x 45 Degree Street
7	04110-003-04	2	Coupling, 1/2"
8	04119-110-00	2	Quick Disconnect, 1/2" Female
9	04119-111-00	2	Quick Disconnect, 1/2" Male
10	04118-019-00	2	Dust Plug, 1/2"
11	04118-043-00	2	Dust Cap, 1/2"
12	04120-132-02	1	Hose, 1/2" x 24 1/2" (1) Wire
13	04120-020-13	1	Hose, 1/2" x 17" (1) Wire
14	04049-371-00	1	Decal, Safety Interlock
15	04049-045-00	1	Decal, Caution
16	04003-003-20	5	Bolt, 3/8"-16 x 1" HH Stainless Steel
17	04003-003-21	1	Bolt, 3/8"-16 x 2 1/2" HH Stainless Steel
18	04003-807-18	5	Locknut, 3/8"-16 Center Lock Stainless Steel
19	04003-804-08	1	Locknut, 3/8"-16 Nylon Insert Stainless Steel
20	04004-002-20	2	Flatwasher, 3/8" U.S.S. Stainless Steel
21	04111-009-00	1	Plug, Plastic (For 1/2" NPT Female Thread)
22	04110-027-03	1	Nipple, 1/2" x 2"
23	04121-004-01	1	Adapter, Swivel (1/2" Male Swivel x 1/2" Female Solid x 90 Degree)
24	04121-004-06	1	Adapter, Swivel (1/2" Male Swivel x 1/2" Male Solid x 90 Degree)
25	04048-509-03	1	U-Bolt, 1/4"
26	04003-806-15	4	Nut, 1/4"-20 Serrated Flange, Stainless Steel
27	04610-012-00	1	Tubing, 1/4" ID x 3/8" OD Clear PVC (3 1/2")
28	00117-702-01	1	Instructions, Safety Interlock (SA)



Z:\00117\70201SAS4F

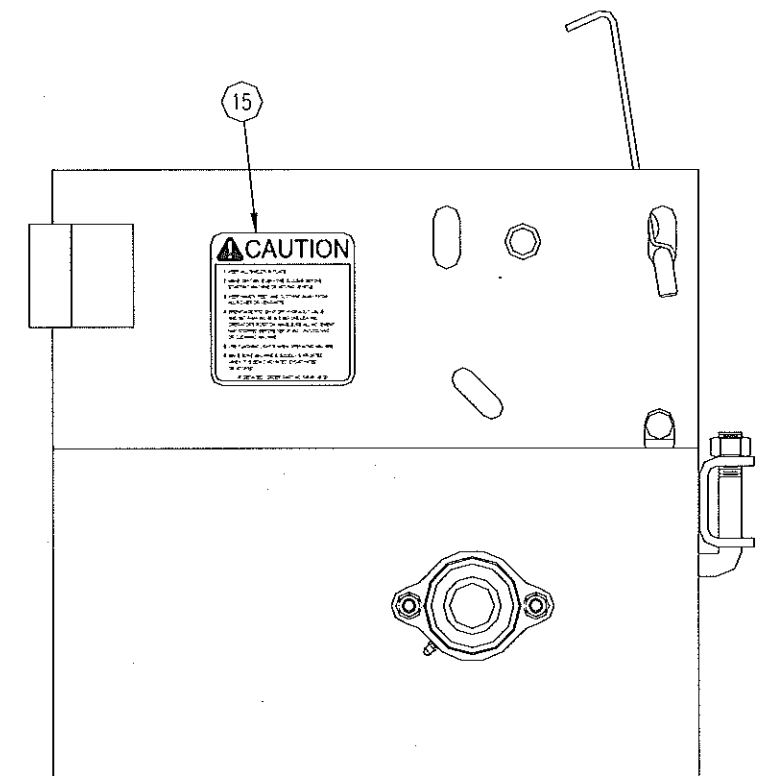
FOR MODEL "SA" TAILGATE SPREADERS



Z:\00117\70201SASAF

FOR MODEL "SD" (DIRECT DRIVE) TAILGATE SPREADERS

Item	Part Number	Qty.	Description
1	00117-033-01	1	Bar, Pipe Support
2	00117-035-01	1	Weldment, Coupling Plate
3	00110-444-54	1	Pipe, 1/2" x 11" Threaded
4	04110-027-10	1	Pipe, 1/2" x 4 1/2"
5	04110-004-04	1	Elbow, 1/2" x 90 Degree
6	04110-007-04	2	Elbow, 1/2" x 45 Degree Street
7	04110-003-04	1	Coupling, 1/2"
8	04119-110-00	1	Quick Disconnect, 1/2" Female
9	04119-111-00	1	Quick Disconnect, 1/2" Male
10	04118-019-00	1	Dust Plug, 1/2"
11	04118-043-00	1	Dust Cap, 1/2"
12	04120-003-44	2	Hose, 1/2" x 15" (1) Wire
14	04049-371-00	1	Decal, Safety Interlock
15	04049-045-00	1	Decal, Caution
16	04003-003-20	5	Bolt, 3/8"-16 x 1" HH Stainless Steel
17	04003-003-21	1	Bolt, 3/8"-16 x 2 1/2" HH Stainless Steel
18	04003-807-18	5	Locknut, 3/8"-16 Center Lock Stainless Steel
19	04003-804-08	1	Locknut, 3/8"-16 Nylon Insert Stainless Steel
20	04004-002-20	2	Flatwasher, 3/8" U.S.S. Stainless Steel
21	04111-009-00	1	Plug, Plastic (For 1/2" NPT Female Thread)
28	00117-702-07	1	Instructions, Safety Interlock (SD)



CAUTION DECAL AT LEFT END OF SPREADER

Z:\00117\70207SDSAF



SWENSON SPREADER COMPANY
 P.O. BOX 127
 LINDENWOOD, ILLINOIS 61049-0127

PHONE: (815)393-4455
 TOLL FREE: (888)825-7323
 SALES & SERVICE FAX: (866)310-0300

email: swensonsales@swensonspreader.com
 website: www.swensonspreader.com

**IMPORTANT
 INFORMATION
 ENCLOSED**

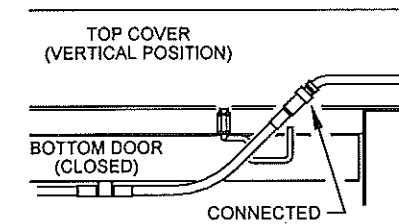
**SUPPLEMENTAL MANUAL
 OF HYDRAULIC SAFETY INTERLOCK PARTS
 FOR TAILGATE SPREADER MODELS
 "SA", "ST", "SAG", "SAD", "SD"**



DANGER

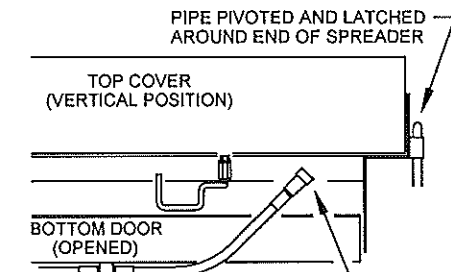
SERIOUS PERSONAL INJURY OR DEATH CAN RESULT
 IF THE SAFETY INTERLOCK DEVICE - AS INSTALLED ON THIS SPREADER:

- IS ALTERED IN ANY WAY FROM ITS ORIGINAL INTENT AS SHOWN
- IS NOT MAINTAINED SO AS TO OPERATE ACCORDING TO ITS ORIGINAL INTENT AS SHOWN



SPREADER WILL OPERATE

TOP COVER CANNOT BE OPENED REARWARD
 PAST VERTICAL POSITION AND BOTTOM DOOR
 CANNOT BE OPENED EXPOSING AUGER



SPREADER WILL NOT OPERATE

TOP COVER CAN BE OPENED REARWARD
 PAST VERTICAL POSITION AND BOTTOM
 DOOR CAN BE OPENED

IF DEFACTED - ORDER PART NO. 04049 371 00

This decal appears on the trough cover plate at the right end of the spreader. It alerts all to the danger associated with the improper use of the Safety Interlock Device

PART NO. 00117-731-00
 JUNE 24, 2002

To be used with standard "S"
 Series Manual 00107-819-00