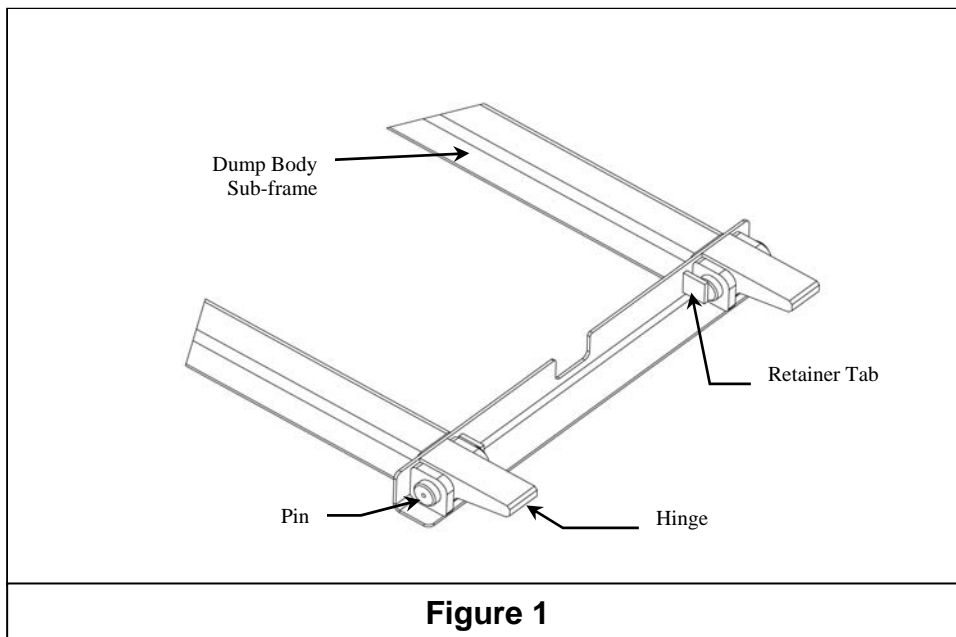


**SUBJECT: Dump Body Rear Hinge Field Repair**

**To all concerned:**

Swenson has learned that in certain situations the weld securing the retainer tab on the rear hinge may fracture and potentially cause the pin to come loose (see figure 1).



**Figure 1**

**Corrective Action:**

Swenson has sent out repair kits for each affected dump body. Distributors will need install the kits per these instructions. Estimated completion time for this repair is 3 hours. After repairs are completed please complete warranty form and email to [warranty@swensonproducts.com](mailto:warranty@swensonproducts.com) or fax to 866-310-0300.

Swenson Products LLC assumes no responsibility for installations not made according to these instructions.

Route To:				
Initial	President/Owner	Sales Manager	Service Manager	Parts Manager

## SUBJECT: Dump Body Rear Hinge Field Repair

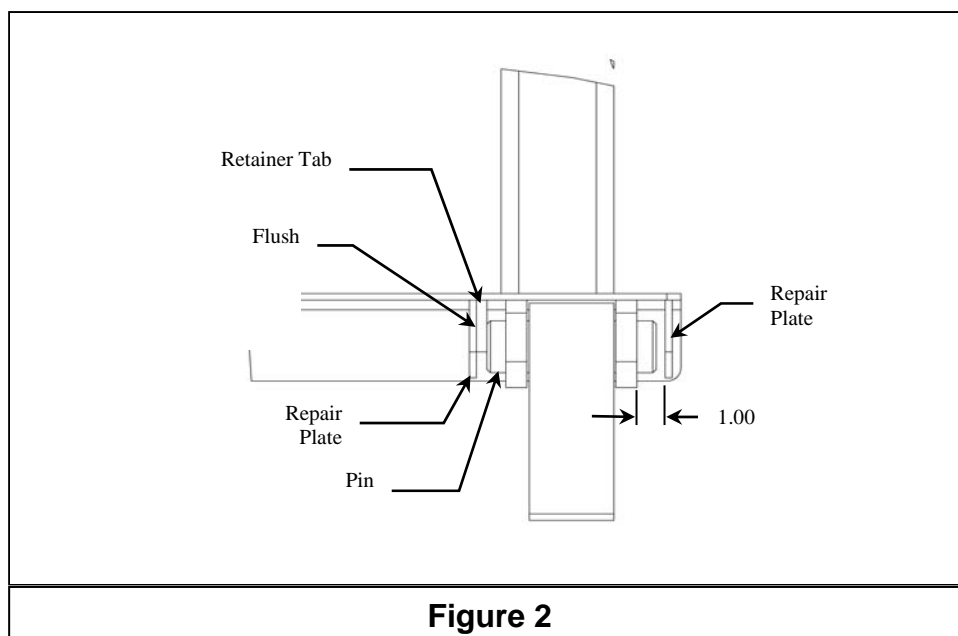
### Safety

# DANGER

Read and understand all safety instructions before attempting this repair. Never work under a raised loaded body. Never work under a body without the safety prop rod engaged into the prop seat.

### Instructions

1. Dump body should be completely empty and rear hinge area should be washed to remove as much grease, dirt, and debris as possible.
2. Cover critical truck components such as wiring, hydraulic hoses, brake lines, and truck cab to prevent damage from grinding and welding sparks.
3. Fit repair plates onto rear hinge as shown and mark weld areas to be cleaned. Inside repair plate should be flush against retainer tab. Hole in outside repair plate should align with grease zerk in hinge pin (see figure 2).
4. Using grinder, remove all paint in the area to be welded. Weld areas should be cleaned to bare metal.
5. Reinstall repair plates onto rear hinge and tack weld.
6. Solid weld repair plates to rear hinge. Proper welding procedures should be followed. Swenson suggests the use of ER70 S-4 wire for MIG or 7018 rods for ARC welding.
7. Paint repair plates and any damaged paint on rear hinge. Lubricate rear hinge pins with chassis grease.



**SUBJECT: Dump Body Rear Hinge Field Repair**

