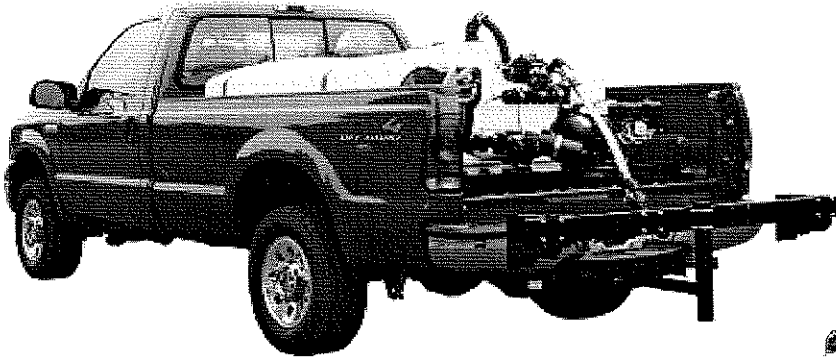


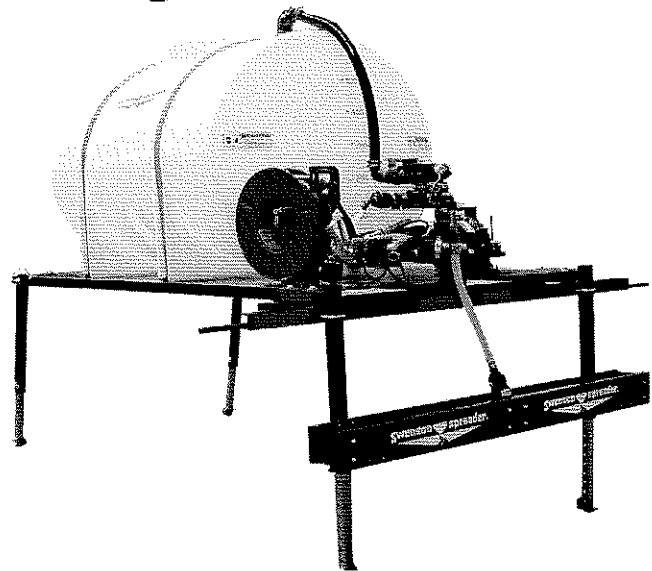
# INSTALLATION and OPERATING INSTRUCTION MANUAL

## ANTI-ICE SYSTEM for



PICK-UP

AND



MID-SIZE TRUCK

### INDEX

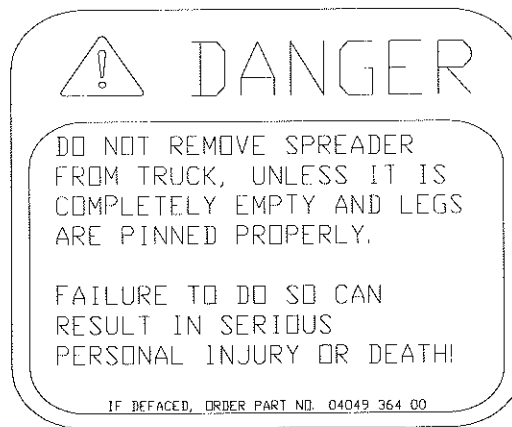
SAFETY ALERT .....	2
APPLICATION RATE CHART .....	3
SPRAYER PARTS, VIEWS & LISTS (PICK-UP) .....	4 - 15
VARIABLE ORIFICE NOZZLE SET-UP & ADJUSTMENT .....	16 - 17
SPRAYER PARTS, VIEWS & LISTS (MID-SIZE) .....	18 - 27
NAME PLATE INFORMATION .....	28
WARRANTY INFORMATION .....	29

Manual No. 00120-748-01  
January 11, 2006

**swenson**  **spreader®**



This decal appears at both sides of the top fill opening of the tank, and next to each of the Quik - Coupling locations on the platform. It alerts personnel of the potential for the tank to contain hazardous materials, and to wear appropriate personal protective equipment (PPE) when filling or emptying the tank.



This decal appears on the top of the platform, next to each of the storage leg locations. It alerts personnel to, properly, empty the tank before removing it from the truck; and to, properly, secure the legs in the down position after removing the sprayer platform from the truck, prior to storing it.



This decal is affixed to the top of the platform, next to the pump. It alerts the operator to maintain the liquid level in the tank; and to make sure that the valves that supply liquid, between the tank and the pump, are properly adjusted. It also alerts personnel to, properly, flush and drain the system after use, to prevent freezing (and possible damage).

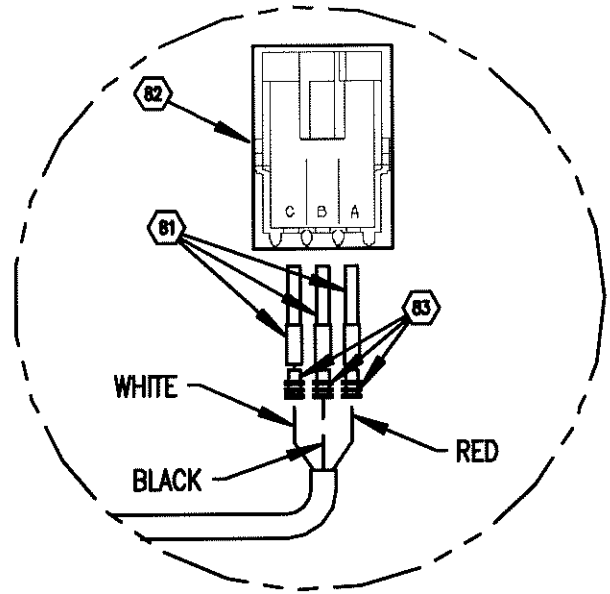
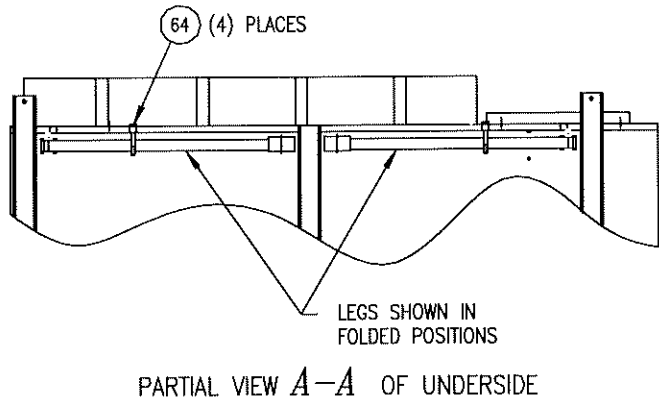
### Swenson Spreader Application Rate Chart

Rate: Gal / Mi Truck Speed	15	20	25	30	35	40	45	50	60
5 MPH	1.25	1.67	2.10	2.50	2.90	3.33	3.75	4.20	5.00
10 MPH	2.50	3.33	4.20	5.00	5.80	6.67	7.50	8.33	10.00
15 MPH	3.75	5.00	6.25	7.50	8.75	10.00	11.25	12.50	15.00
20 MPH	5.00	6.67	8.33	10.00	11.67	13.33	15.00	16.67	20.00
25 MPH	6.75	8.33	10.40	12.50	15.80	16.67	18.75	20.80	25.00
30 MPH	7.50	10.00	12.50	15.00	17.50	20.00	22.50	25.00	
35 MPH	8.75	11.67	14.60	17.50	20.40	23.33	26.25		
40 MPH	10.00	13.33	16.67	20.00	23.33	26.67			
45 MPH	11.25	15.00	18.75	22.50	26.25				
50 MPH	12.50	16.67	20.80	25.00					

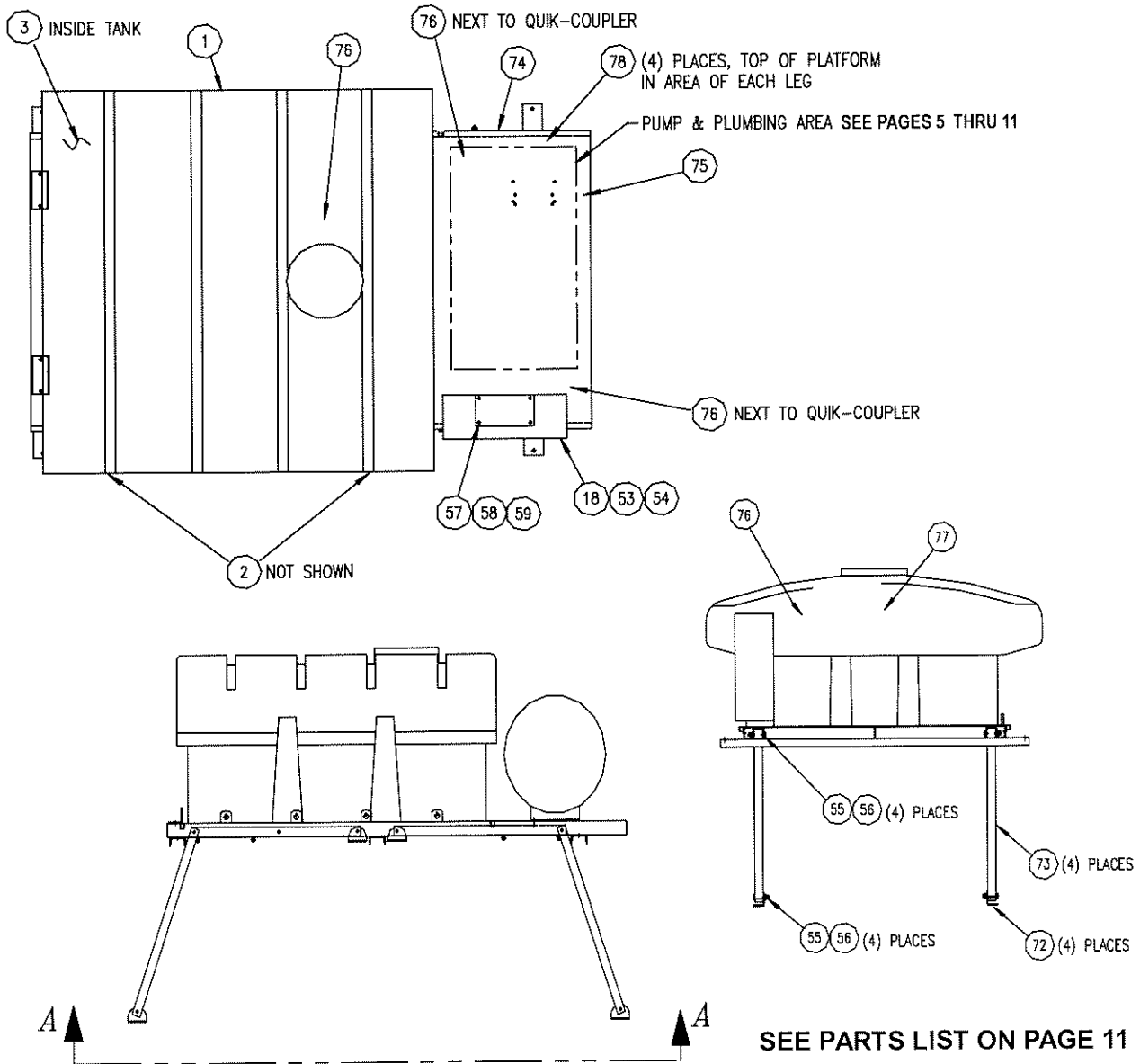
Determine application rate in gallons per mile across top row.  
Determine speed to travel in left column.  
The number where these two values intersect is the gallons per minute setting for your sprayer.  
Adjust pump bypass flow to achieve this flow on the flow meter.

Rate: Gal / Acre Truck Speed	15	20	25	30	35	40	45	50	60
5 MPH	1.00	1.40	1.75	2.10	2.40	2.75	3.10	3.40	4.10
10 MPH	2.00	2.75	3.40	4.10	4.80	5.50	6.20	6.90	8.25
15 MPH	3.10	4.10	5.20	6.20	7.25	8.25	9.30	10.30	12.40
20 MPH	4.10	5.50	6.90	8.25	9.60	11.00	12.40	13.75	16.50
25 MPH	5.60	6.90	8.60	10.30	13.00	13.75	15.50	17.20	20.60
30 MPH	6.20	8.25	10.30	12.40	14.40	16.50	18.60	20.60	24.75

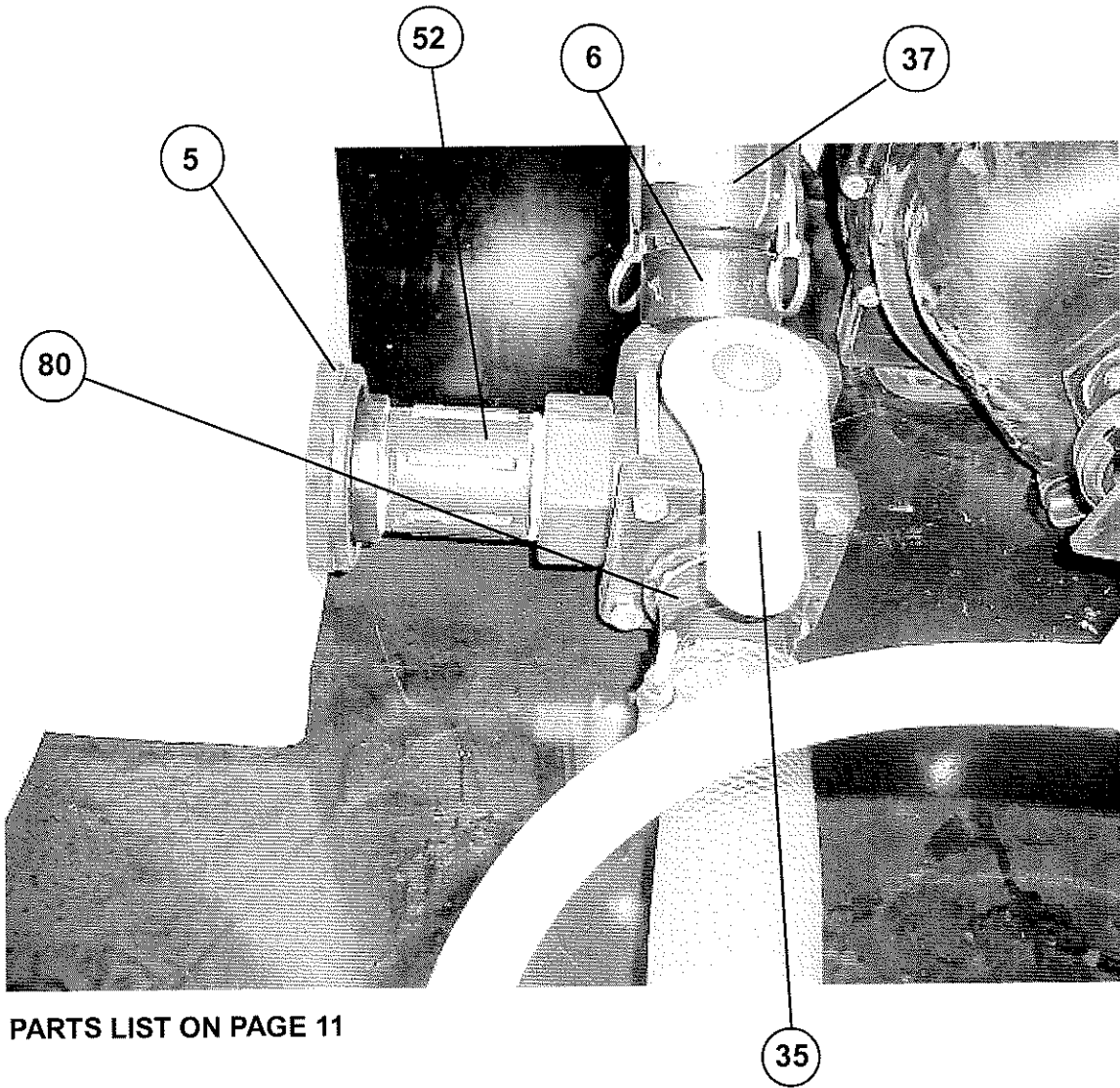
Determine application rate in gallons per acre across top row.  
Determine speed to travel in left column.  
The number where these two values intersect is the gallons per minute setting for your sprayer.  
Adjust pump bypass flow to achieve this flow on the flow meter.



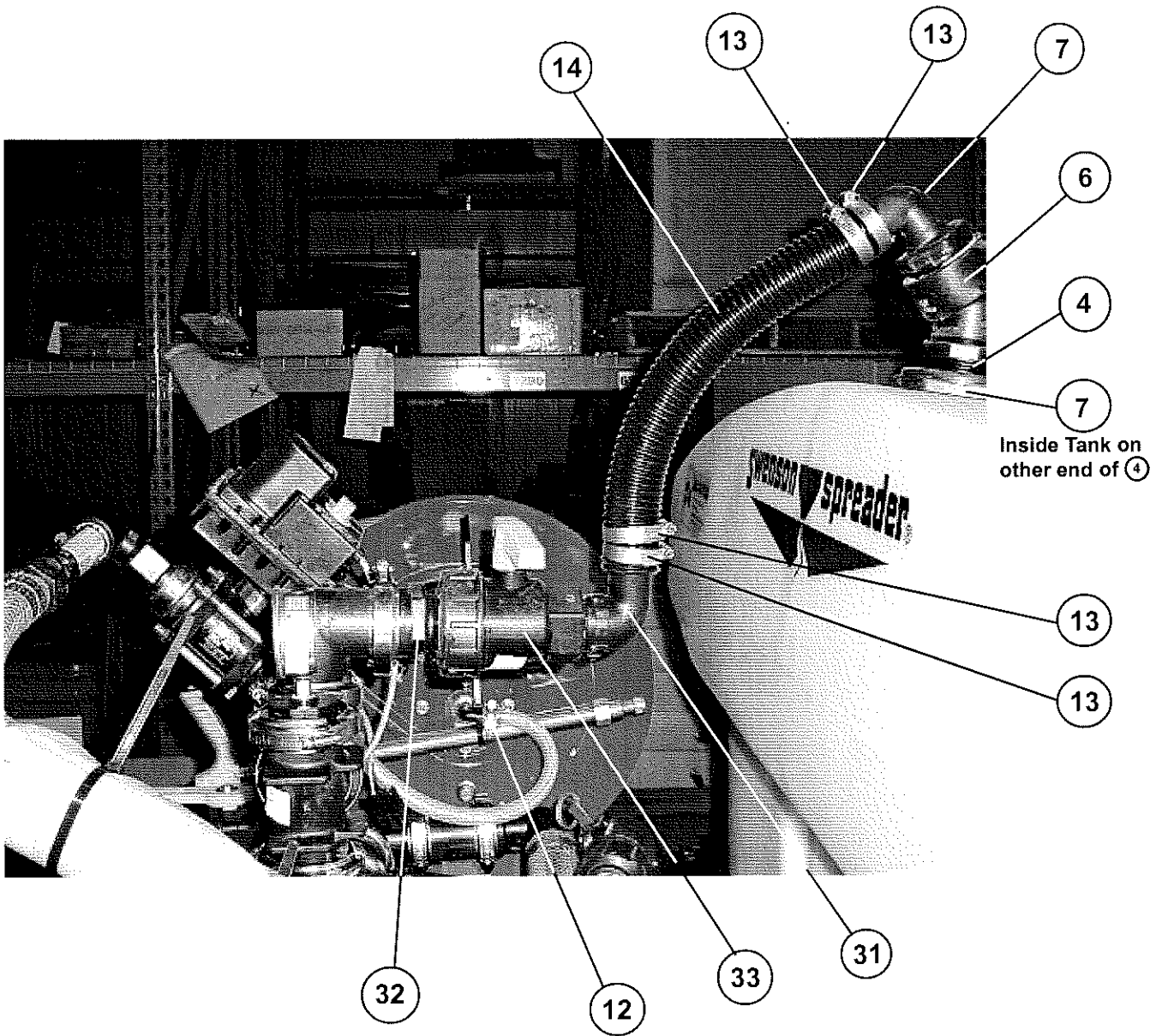
DETAIL-PLUG ASSY FOR ELECTRIC VALVE



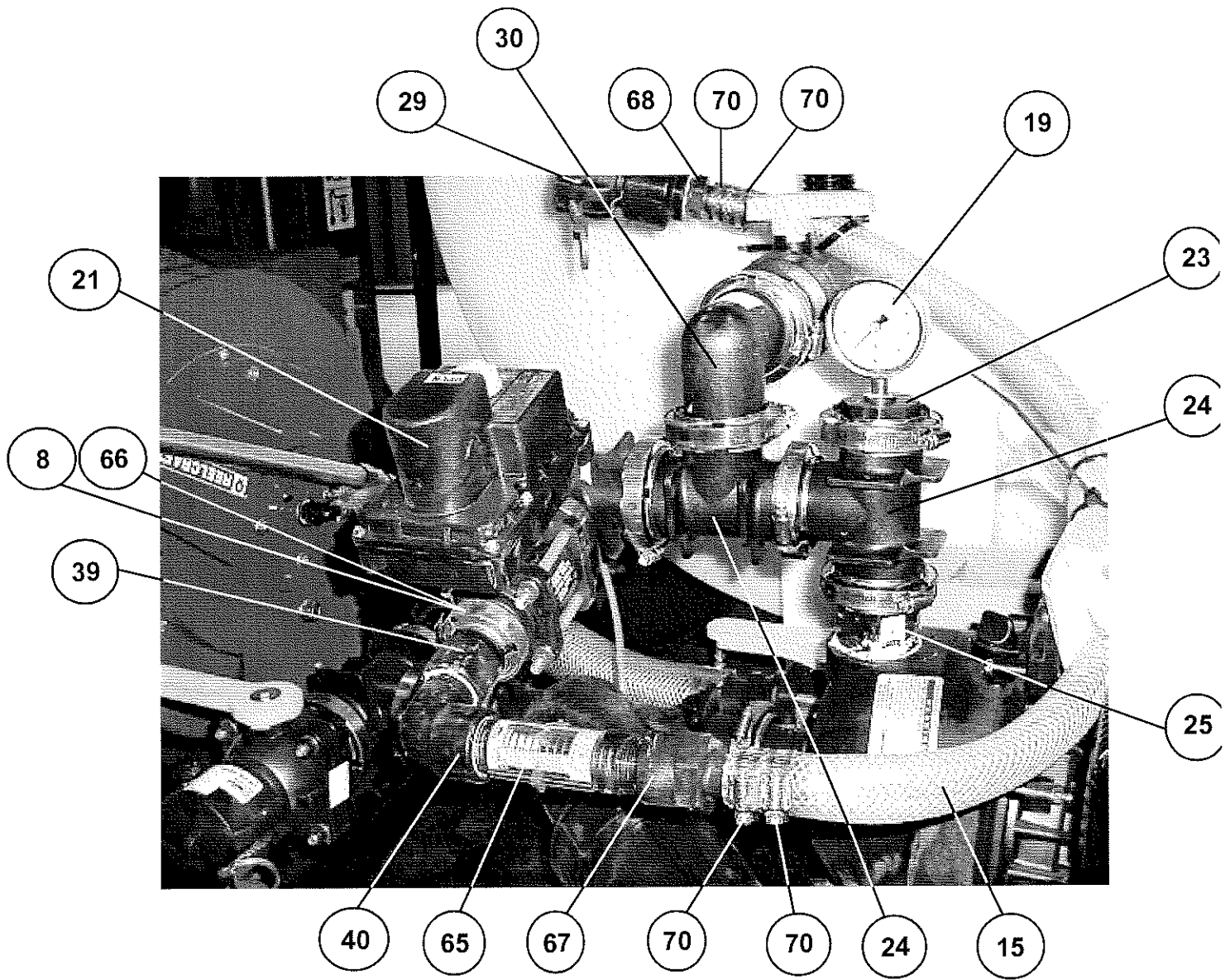
SEE PARTS LIST ON PAGE 11



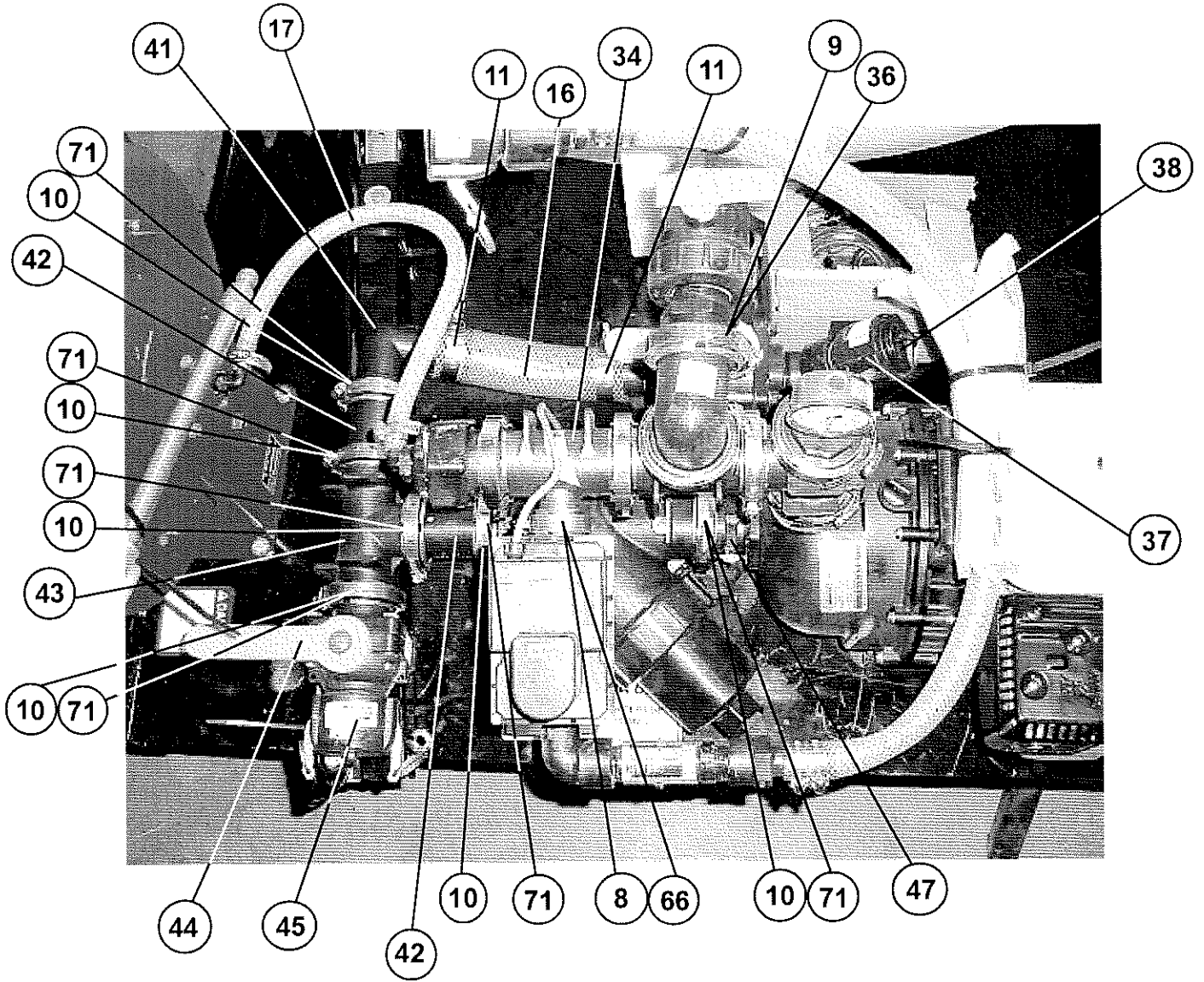
SEE PARTS LIST ON PAGE 11



SEE PARTS LIST ON PAGE 11

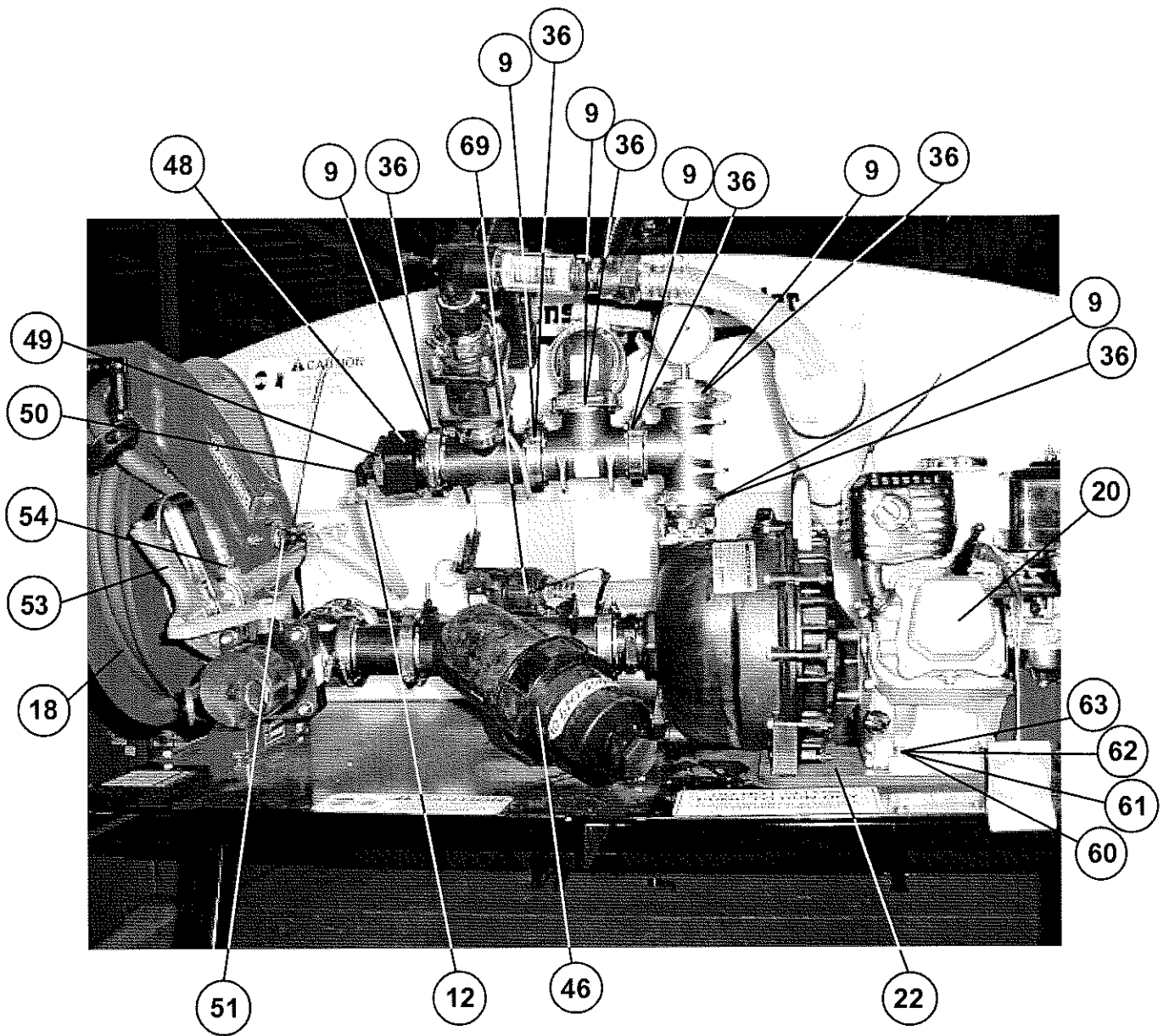


SEE PARTS LIST ON PAGE 11



SEE PARTS LIST ON PAGE 11





SEE PARTS LIST ON PAGE 11

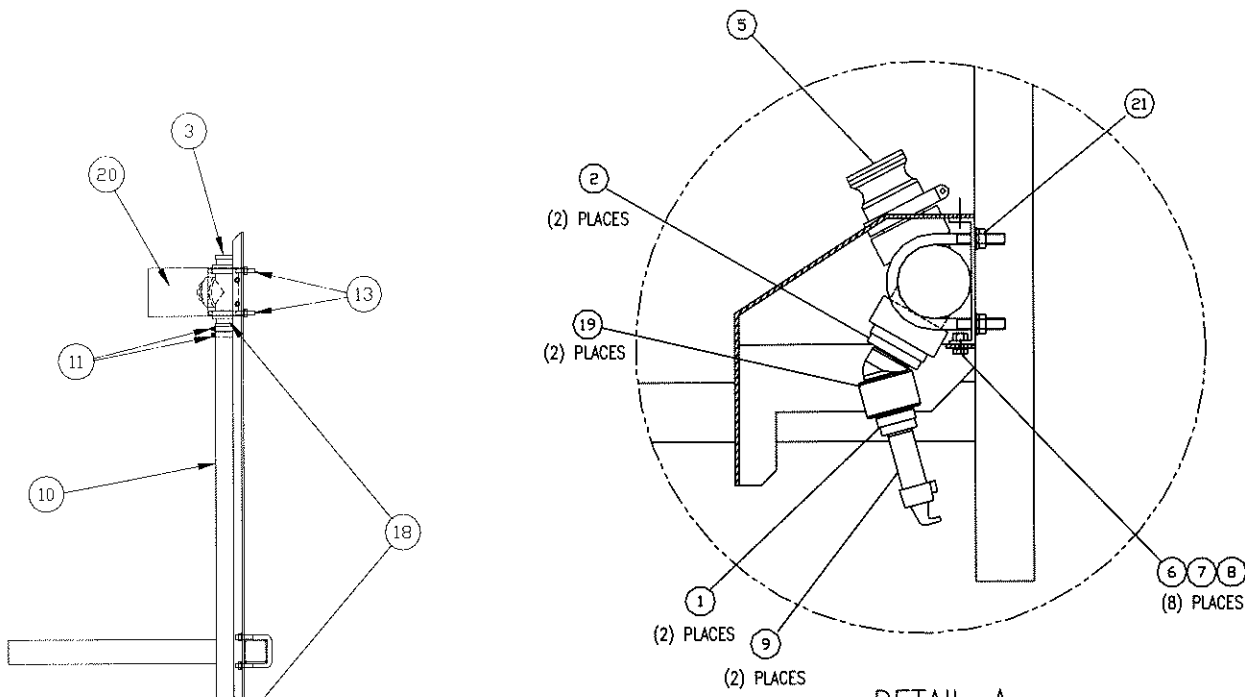
**THIS PAGE  
LEFT BLANK  
INTENTIONALLY**

# ANTI-ICE P/U PLATFORM ASSEMBLY

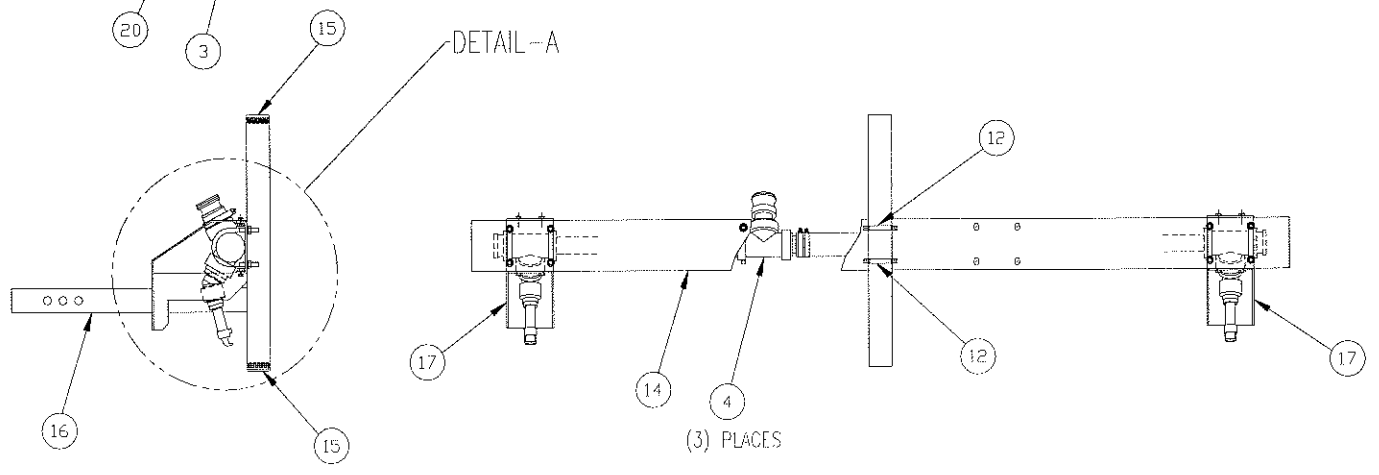
00118-931-00

ITEM NO.	PART NUMBER	DESCRIPTION	QTY
1	04622-068-00	Tank, 295 Gal Poly Pick-Up	1
2	04068-044-00	Assembly, Ratchet/Strap	2
3	04622-067-00	Surge Buster, Poly, 7" Opening	11
4	04109-116-00	Fitting, 2" Tank Blkhd (Poly)	1
5	04109-149-00	Fitting, 2" Bulkhd Anti-Vortex	1
6	04110-005-10	Elbow, 2" 45 Degree Poly	2
7	04109-150-00	Fitting, 2 MPT X 1.5 HSE 90 DG	2
8	04109-148-05	Clamp, 1" Flange	2
9	04109-148-04	Clamp, 2" Flange	7
10	04090-033-00	Clamp, 2" Flange Full Port Wrm	6
11	04090-032-01	Clamp, 2" Hose T-Bolt	2
12	04090-022-00	Clamp, 1" Hose	4
13	04090-016-00	Clamp, 1 1/2" Hose S.S.	4
14	04610-030-00	Hose, 1 1/2" Low Temp Suction	2 ft.
15	04610-026-00	Hose, 1" Nyl Braid Clear PVC	2.5 ft.
16	04610-028-00	Hose, 2" Id Poly 50#WP Clr Mesh	1 ft.
17	04610-025-00	Hose, 1/2" ID Nyl Braid Clr PVC	1.5 ft.
18	04630-001-01	Reel, Hvy Dty w/50 ft 1/2" Hose	1
19	04106-027-00	Gauge, Dial 0-160 Botm 1/4" Mpt	1
20	04102-149-01	Pump, 2" Poly w/5 Hp Honda Eng	1
21	04105-359-01	Valve, Elec 1" Flnge Both Ends	1
22	04076-165-00	Pad, 3/8 Thk X 8 X 10 Neoprene	1
23	04110-049-01	Plug, 2" Flnge w/.25 Fpt Ga Pt	1
24	04109-144-01	Tee, 2" Flange	2
25	04109-146-01	Adapter, 2" Flange X 2" Mpt.	1
26	04110-006-16	Elbow, 1 1/2" 90 Deg. Str. (Poly)	1
27	04110-017-35	Bushing, 1 1/2" X 1" Hex Red. Poly	2
28	04109-130-00	Elbow, 1" Npt X 1" Barb (Poly)	1
29	04078-036-00	Coupler, 1 1/2" Quick	1
30	04109-145-03	Elbow, 2" Flange 90 Deg Short	1
31	04109-105-00	Elbow, 1 1/2" Npt X 1 1/2" Barb	1
32	04109-146-05	Adapter 2" Flange X 1 1/2" Mpt	1
33	04105-360-00	Valve, 1 1/2" Fpt, 1 1/2" Union	1
34	04110-050-00	Tee, 2" X 2" X 1" Flange (Poly)	1
35	04105-361-00	Valve, 2" Fpt, 3-Way Ball, Poly	1
36	04109-148-06	Gasket, 2" Flange	7
37	04078-049-00	Coupler, 2" Female Quik w/2" Mpt	1
38	04078-035-00	Plug, 2" Quick Coupler	1
39	04109-151-00	Fitting, 1" Flange, 1" Fpt Poly	1
40	04110-006-17	Elbow, 1" 90 Deg Street (Poly)	2

ITEM NO.	PART NUMBER	DESCRIPTION	QTY
41	04109-145-04	Elbow, 2" Flnge, 2" Hse 90D Fulprt	1
42	04109-145-05	Fitting, 2" X 2" Flnge Ful Prt	2
43	04110-051-00	Tee, 2" X 2" X 2" Flnge Ful Prt	1
44	04105-362-01	Valve, 2" Flnge, 2" Male Couplr	1
45	04078-043-00	Cap, Quick Coupler 2"	1
46	04103-049-01	Strainer, 2" Flnge Line 30 Mesh	1
47	04109-152-00	Fitting, 2" Flnge X 2" MPT Flprt	1
48	04109-153-00	Fitting, 2" Flange, 2" Fpt Poly	1
49	04110-017-39	Reducer, 2" Mpt, 3/4" Fpt Poly	1
50	04109-119-00	Elbow, 3/4" Npt X 1/2" Barb	1
51	04109-114-00	Elbow, 1/2" Npt X 1/2" Barb (Poly)	1
52	04110-032-15	Nipple, 2" Mpt, 6" Long Poly	1
53	04630-002-01	Spray Gun, Brass 1/2 Fpt Hvy Dt	1
54	04110-017-15	Bushing, 1/2" X 3/8" Hex Red Bra	1
55	04003-005-29	Bolt, 1/2-13 X 13 Hh SS	8
56	04003-804-07	Locknut, 1/2-13 Nyl Ins SS	8
57	04003-003-20	Bolt, 3/8-16 X 1 Hh SS	4
58	04004-002-20	Flatwasher, 3/8" U.S.S. SS	8
59	04003-806-12	Nut, 3/8-16 Ser Flange SS	4
60	04003-002-33	Bolt, 5/16-18 X 1 3/4 HH SS	4
61	04004-002-25	Flatwasher, 5/16" U.S.S. SS	4
62	04004-001-20	Lockwasher, 5/16" Med Split SS	4
63	04003-806-13	Nut, 5/16-18 Ser Flange SS	4
64	04003-004-09	Bolt, 7/16" X 3 1/2" HH, GR5ZP	4
65	04106-028-00	Meter, 1" Mpt In-Line Flow	1
66	04109-148-07	Gasket, 1" Flange	2
67	04109-154-00	Fitting, 1" Fpt, 1" Hose Poly	1
68	04109-126-00	Shank, 1" Npt X 1" Barb (Poly)	1
69	04110-014-25	Coupling, 1-1/2" X 1" Rdcr, Poly	1
70	04090-021-00	Clamp, 1" Hose	4
71	04109-148-08	Gasket, 2" Full Port Flange	6
72	00118-835-00	Foot, Leg, Platform, Anti-Ice	4
73	00118-915-00	Tube, 1 1/2" Sq, Leg, Platform	4
74	00118-913-00	Weldment, Platform Anti-Ice P/U	1
75	04049-390-00	Decal, Warning, Pump	1
76	04049-244-00	Decal, Caution	4
77	04049-002-00	Decal, Swenson-Black	1
78	04049-364-00	Decal, Danger Leg Stand	4
79			
80	04109-133-00	Shank, 2" Npt (M) X 2" Barb (Poly)	1
81	04896-048-00	Pin, Male Prong, Female Plug	3
82	04896-045-00	Connector, 3-Wire Female Plug	1
83	04896-126-00	Seals, Cable (22 Ga. Wire)	3



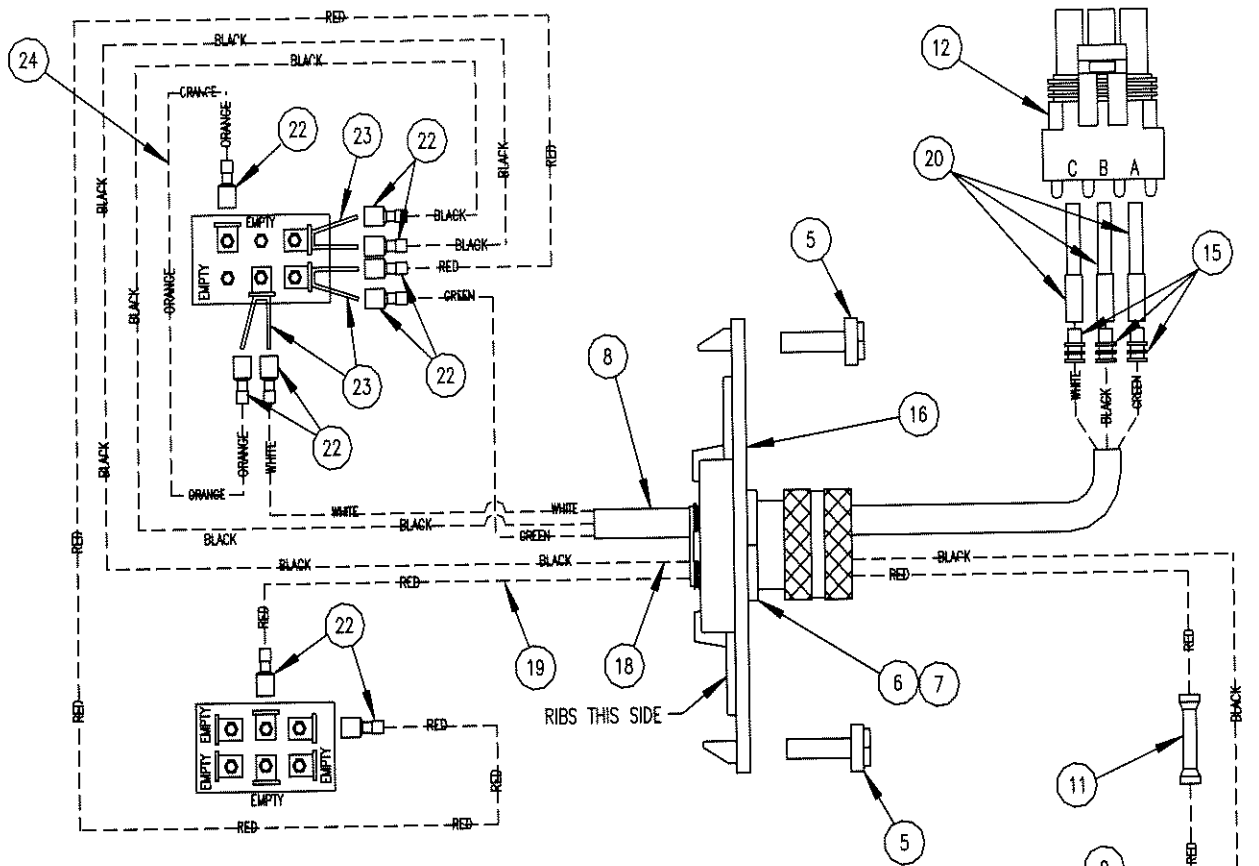
**DETAIL-A**  
 SHOWING GARD CUT AWAY  
 SCALE: NTS



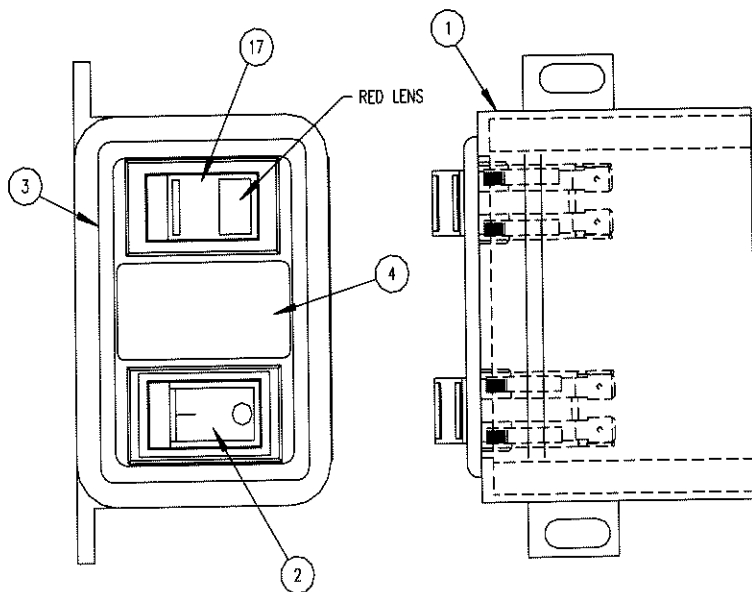
# SPRAY BOOM ANTI-ICE P/U ASSEMBLY

00118-932-00

ITEM NO.	PART NUMBER	DESCRIPTION	QTY
1	04110-017-30	Bushing, 3/4 X 1/2 Hex Red(Pol	2
2	04110-017-29	Bushing, 1 1/2x3/4 Hex Red Pol	2
3	04109-088-00	Plug, 1 1/2" Npt Pipe(Plastic)	2
4	04109-080-00	Tee, 1 1/2" Poly NPT	3
5	04078-038-00	Coupler, 1 1/2" Quick, Male	1
6	04003-001-11	Bolt, 1/4-20 X 3/4 HH SS	8
7	04003-806-15	Nut, 1/4-20 Ser. Flange SS	8
8	04004-002-24	Flatwasher, 1/4" S.A.E. SS	8
9	04078-050-00	Nozzle, 1/2" Mpt Var Orfc Poly	2
10	04610-030-00	Hose, 1 1/2" Low Temp Suction	4 FT.
11	04090-016-00	Clamp, 1 1/2" Hose S.S.	8
12	04048-524-01	U-Bolt, 3/8" Square	2
13	04048-511-02	U-Bolt, 3/8"-16 For 2" Pipe	6
14	00118-919-00	Forming, Channel Spry Boom P/U	1
15	04111-051-01	Plug, Cap, 2" Sq. Tube, Ridged	2
16	00118-922-00	Weldment, Mtg Boom, Anti-Ice	1
17	00118-924-00	Weldment, Gard Nozzle Anti-Ice	2
18	04109-108-00	Nipple, 1 1/2" King (Poly)	4
19	04110-007-12	Elbow, 3/4" X 45 Deg St (Poly)	2
20	04049-358-00	Decal, No Step	2
21	04003-806-12	NUT, 3/8-16 SER FLANGE SS	16



**(25) NOT SHOWN**

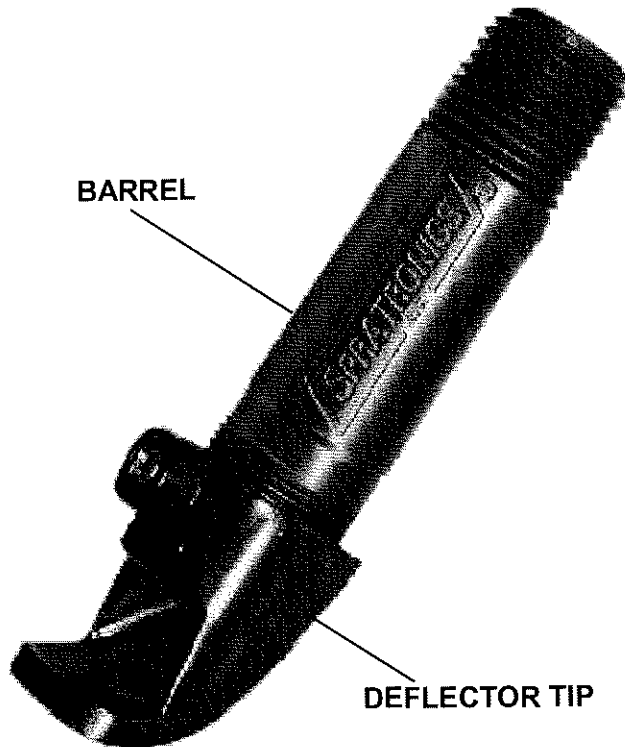


## CONTROL BOX ANTI-ICE P/U AND M/D ASSEMBLY

04627-051-00

ITEM NO.	PART NUMBER	DESCRIPTION	QTY
1	04622-038-00	Enclosure	1
2	00114-163-00	Switch, On / Off Printed	1
3	04640-039-00	Panel, Mounting	1
4	04640-029-00	Plug, Mounting Panel	1
5	04002-059-04	Screw, #8 X 1/2 Slit Hwh Zp	4
6	04611-062-00	Cord Grip, 1/2 (.187-.312 range)	1
7	04611-051-00	Locknut, 1/2" Conduit	1
8	04616-001-00	Wire, 18Ga. 3-Cond.	20
9	04609-002-00	Holder, Fuse	1
10	04609-001-00	Fuse, 5 AMP	1
11	04638-043-02	16-14 Ga Butt Connectors	1
12	04896-037-00	Connector, 3-Wire Male Plug	1
13			
14	04638-039-04	16-14 Ga 5/16" ring Term. H/S	2
15	04896-036-00	Seals, Cable (16-20 Ga Wire)	3
16	04622-039-00	Back, Enclosure	1
17	04640-036-00	Switch, On / Off, Gr / Red Lights	1
18	04616-037-00	Wire, 14 Ga. Black Insulated	6
19	04616-039-00	Wire, 14 Ga. Red Insulated	6
20	04896-035-00	Pin, Female Socket, Male Plug	3
21			
22	04638-045-06	16-14 Ga Female Push On	9
23	04638-039-16	Double Male - Female Push On	3
24	04616-027-00	Wire, 18 Ga. Orange	0.5
25	04550-002-00	CTN, 9 1/8" X 4 7/8" X 4 3/4" RSC	1

# VARIABLE ORIFICE NOZZLE SET-UP AND ADJUSTMENT



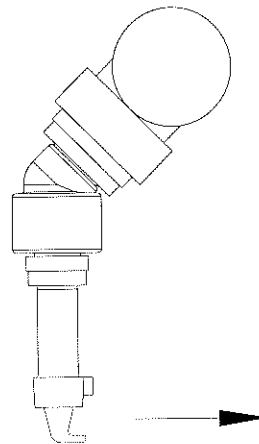
**TRAVEL DIRECTION**



THE DEFLECTOR "O-NOZZLES" SPRAY BACKWARDS,  
THEREBY CANCELING FORWARD SPEEDS OF THE  
TRUCK.

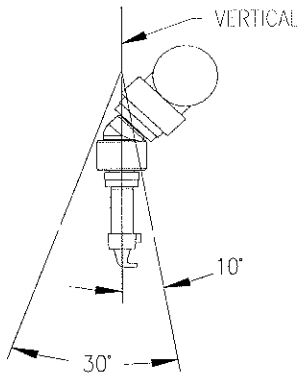
SPRAY STREAMS LAND SOFTLY WITHOUT THE FOG  
OR CLOUDS CREATED BY WIND TURBULENCE FROM  
THE FORWARD SPEED OF THE TRUCK.

THE USUAL FOG OR CLOUD DROPLETS FROM  
SPRAYING ARE AVOIDED.



**SPRAY DIRECTION**





THESE LIMITS REFER TO  
NOTE #1.

1. AIM (1) OF THE (2) NOZZLES SLIGHTLY HIGHER THAN THE OTHER, BY ADJUSTING ITS VERTICAL ANGLE WITHIN THE LIMITS SHOWN, SO THAT THE TWO SPRAY PATTERNS WILL OVERLAP WITHOUT HITTING EACH OTHER.

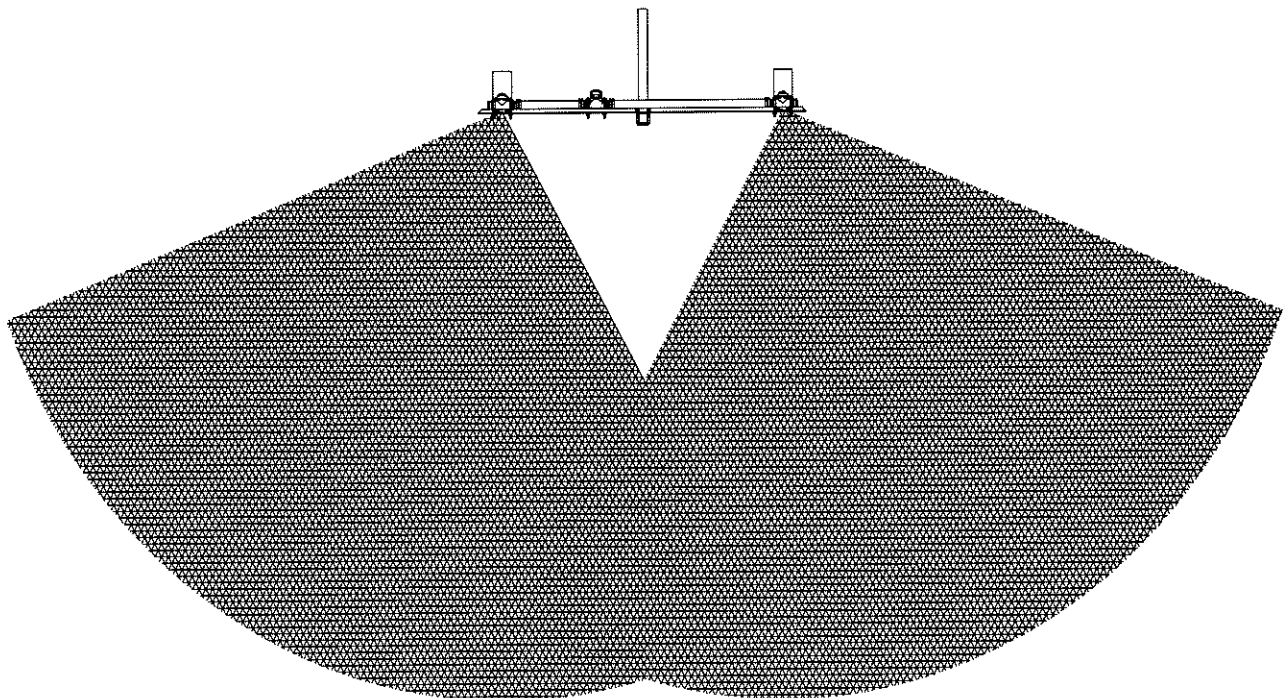
2. ROTATE BOTH NOZZLES, HORIZONTALLY, BY GRASPING THE BARREL OF EACH NOZZLE (NOT ITS DIFFUSER) AND TURNING IT SO THAT THE SPRAY OVERLAP IS SLIGHTLY HEAVIER IN THE TIRE TRACKS, AND STILL REACHES THE OUTER SPRAY LIMIT.

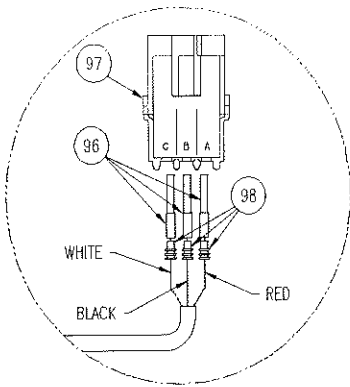
3. ON THE MIDSIZE (MD) UNIT ONLY, ADJUST THE SPRAY BAR SO THAT THE NOZZLE OUTLETS ARE 20"-23" ABOVE THE ROAD SURFACE.

THE "O-NOZZLE" HAS TWO SECTIONS THAT WORK TOGETHER TO PRODUCE A CALIBRATED FLOW THAT SPREADS EVENLY ACROSS ANY ICY SURFACE.

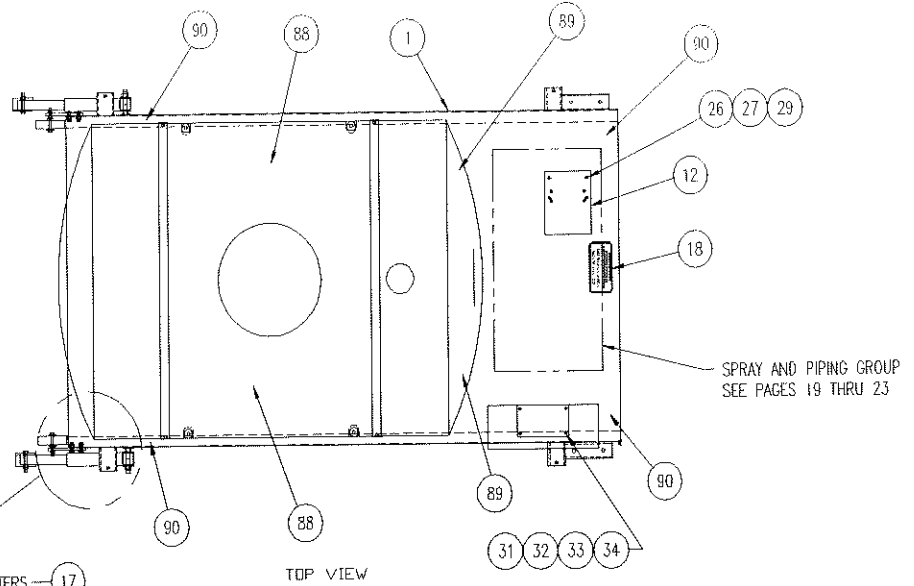
1. THE BARREL CONTAINS A SPRING LOADED PISTON THAT IS PUSHED OPEN BY THE PRESSURIZED DE-ICING MIXTURE. WHEN THE PRESSURE IS TURNED OFF, THE SPRING IMMEDIATELY RETURNS THE PISTON TO ITS CLOSED POSITION (NO DRIPS, NO WASTE).

2. THE DEFLECTOR TIP TURNS THE PRESSURIZED STREAM, EXITING THE BARREL, 90° AND SPREADS IT OUT. THIS SPREADING STREAM IS CONTAINED WITHIN THE TIP SIDEWALLS TO FORM A 100° FAN-SHAPED SPRAY.



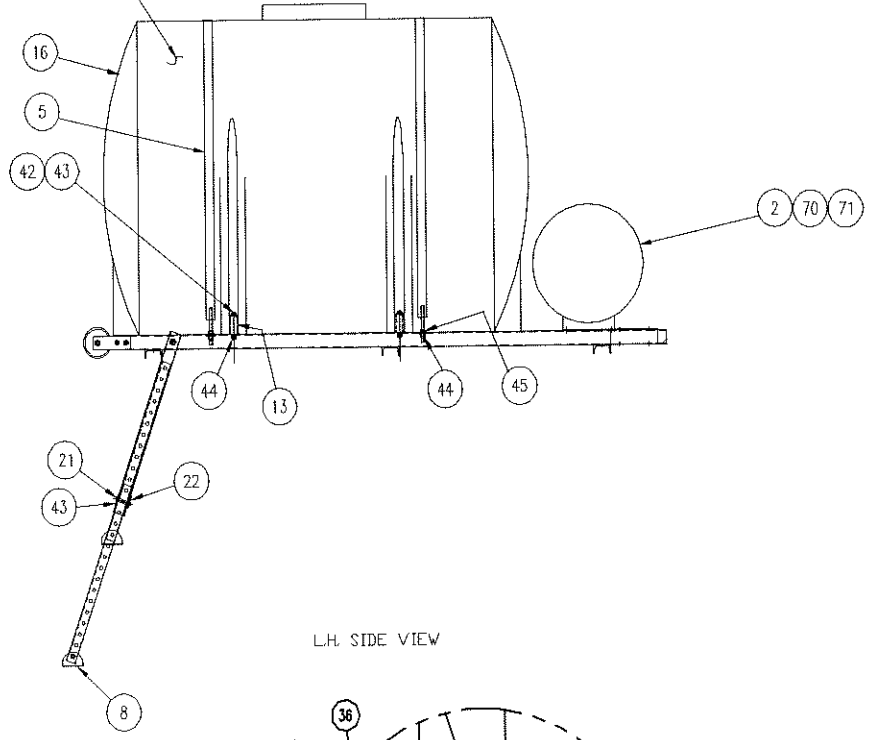


DETAIL-PLUG ASSY FOR ELECTRIC VALVE

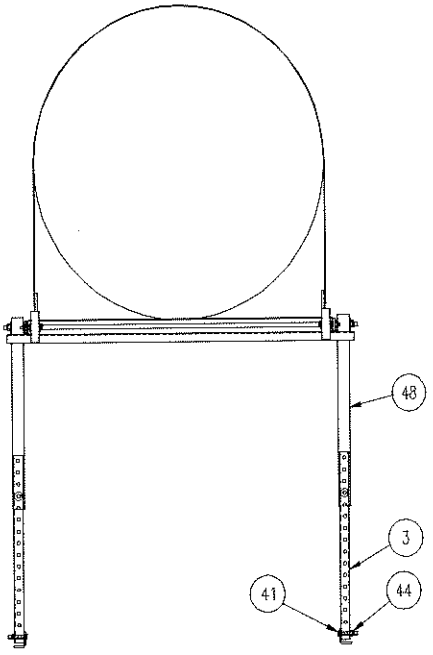


TOP VIEW

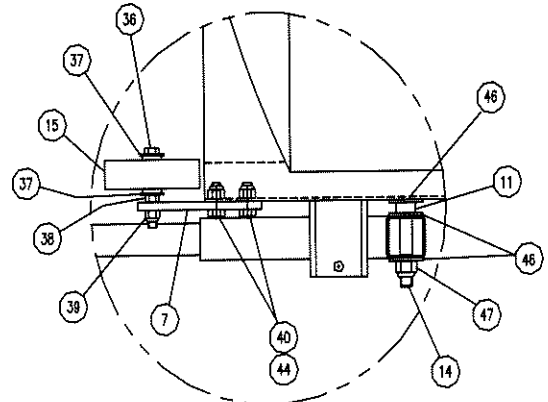
SURGE BUSTERS  
GO IN TANK



L.H. SIDE VIEW

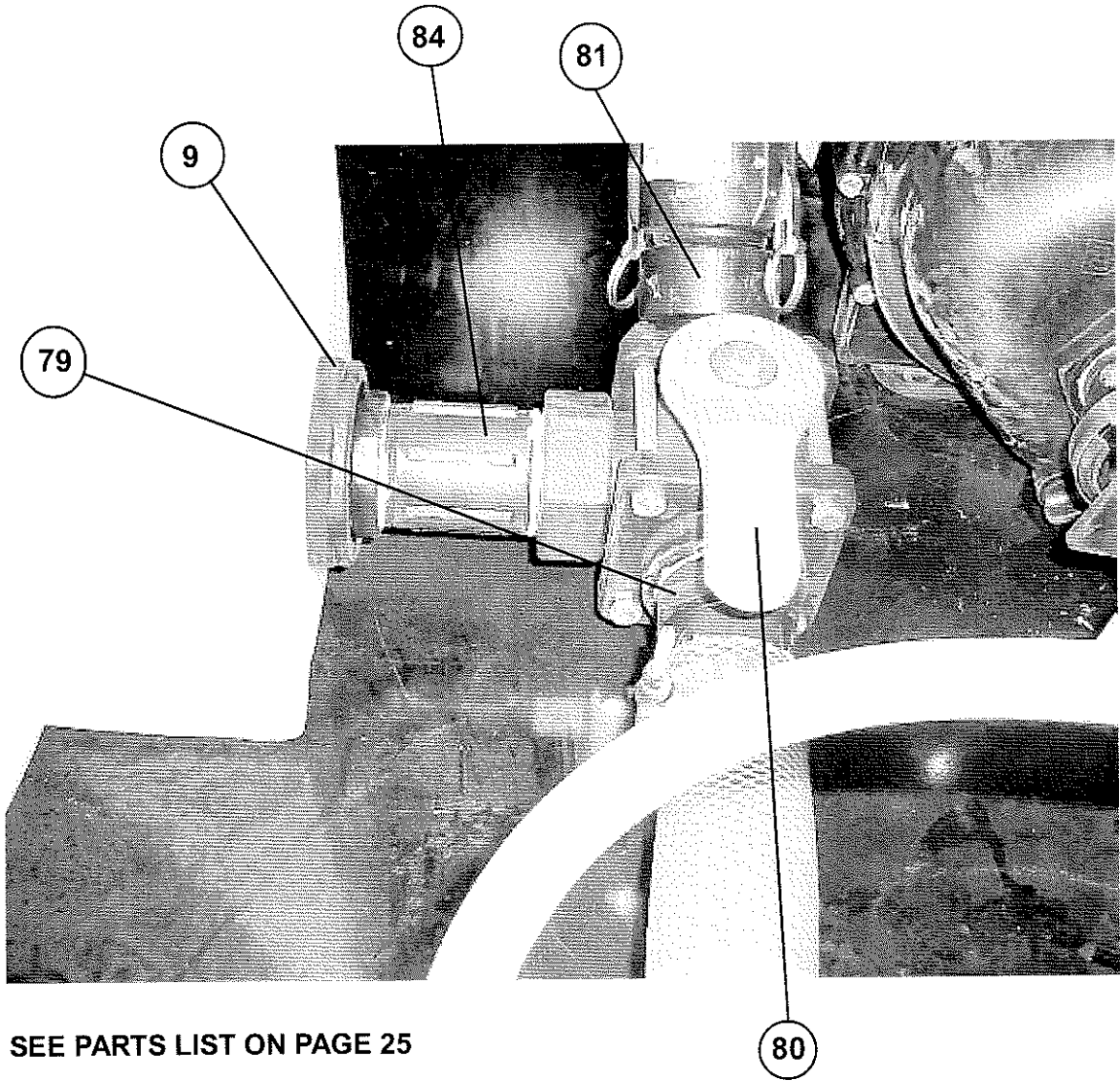


FRONT VIEW

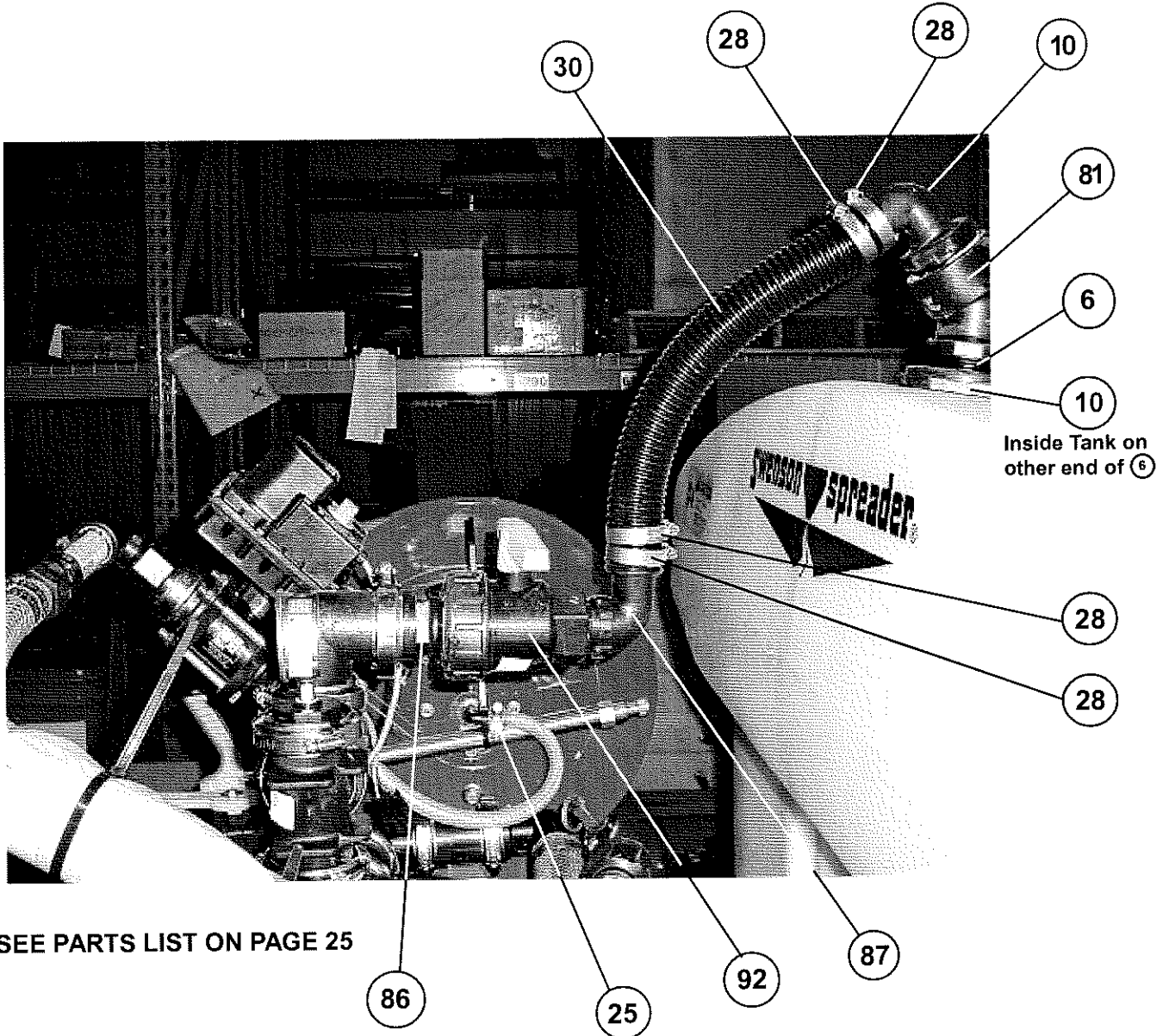


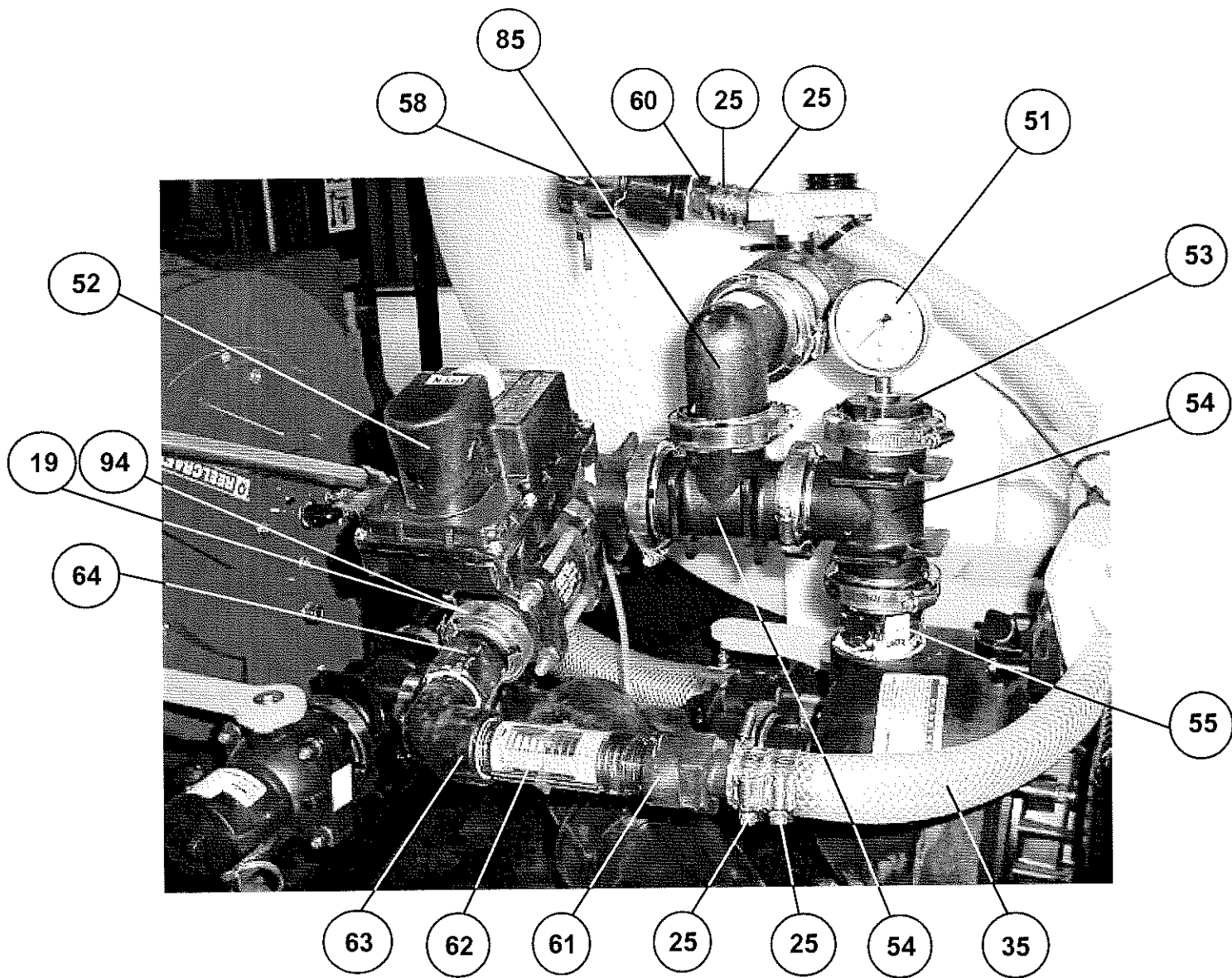
DETAIL-WHEELS AND LEGS

SEE PARTS LIST ON PAGE 25

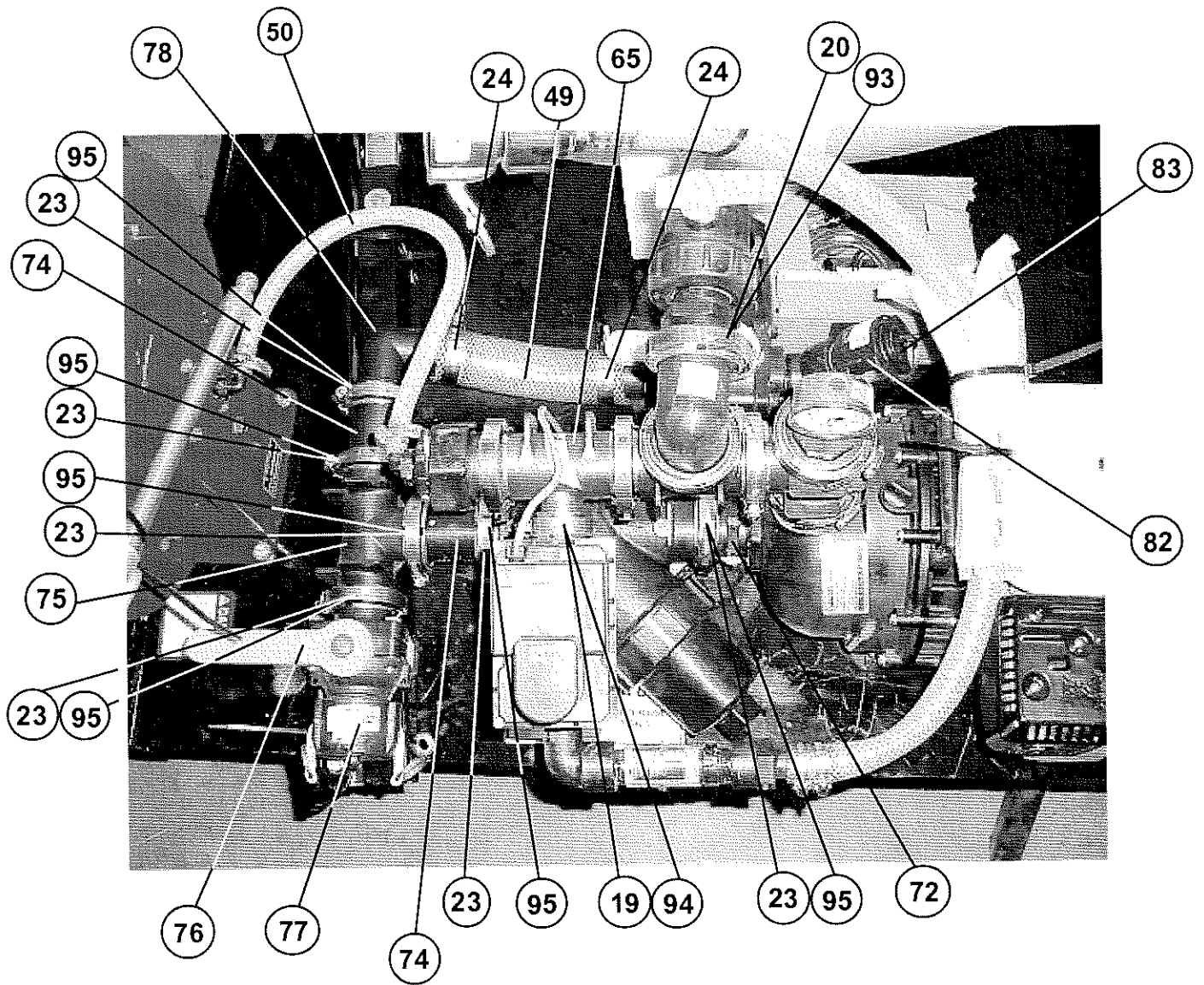


SEE PARTS LIST ON PAGE 25

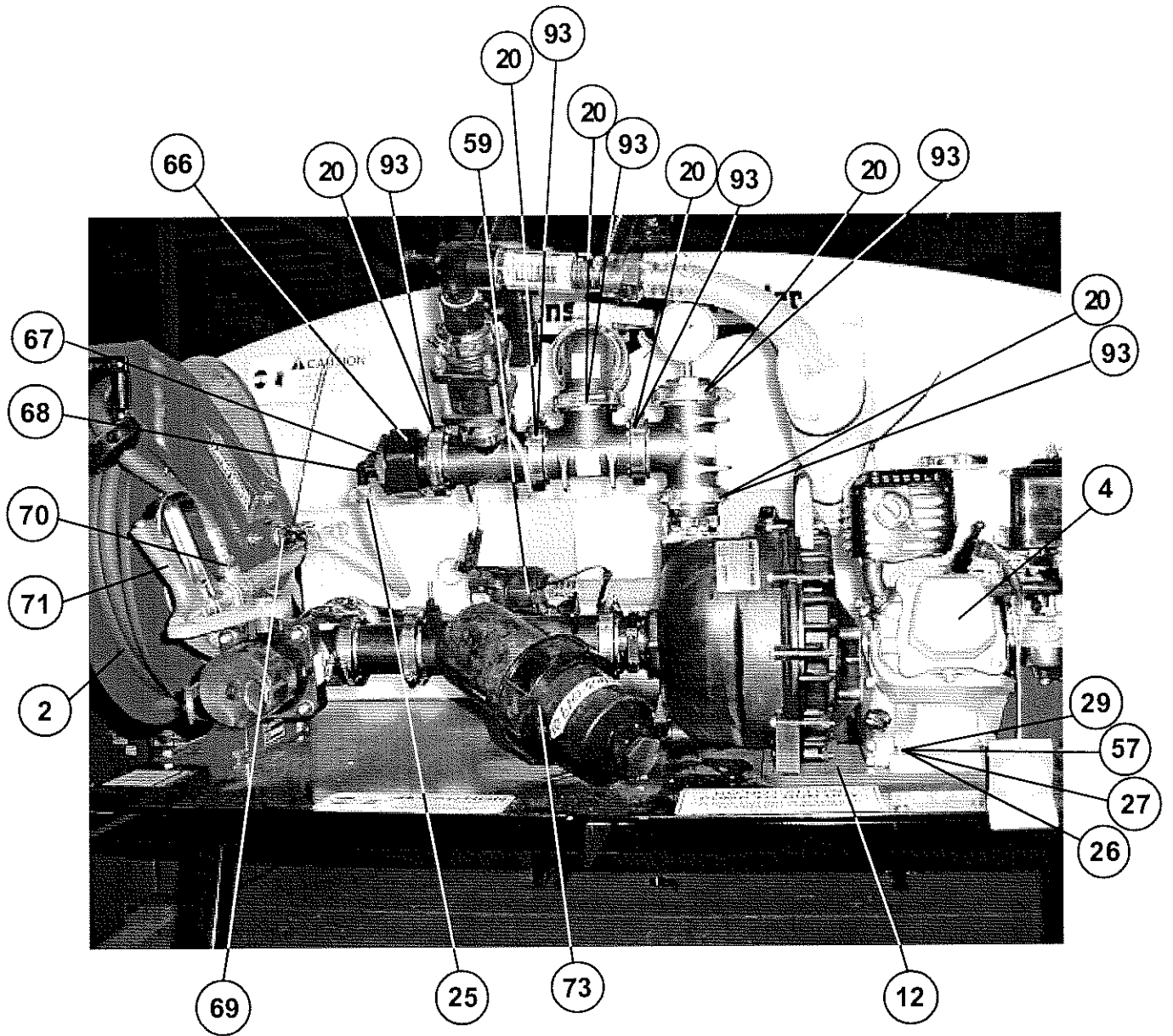




SEE PARTS LIST ON PAGE 25



SEE PARTS LIST ON PAGE 25



SEE PARTS LIST ON PAGE 25

**THIS PAGE  
LEFT BLANK  
INTENTIONALLY**

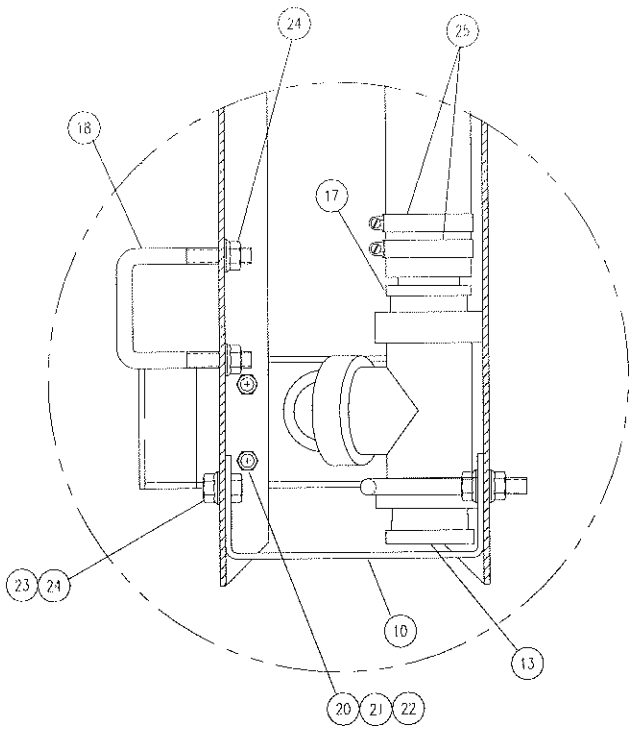


# MID-SIZE ANTI-ICE PLATFORM ASSEMBLY (GAS ENGINE & HYDRAULIC)

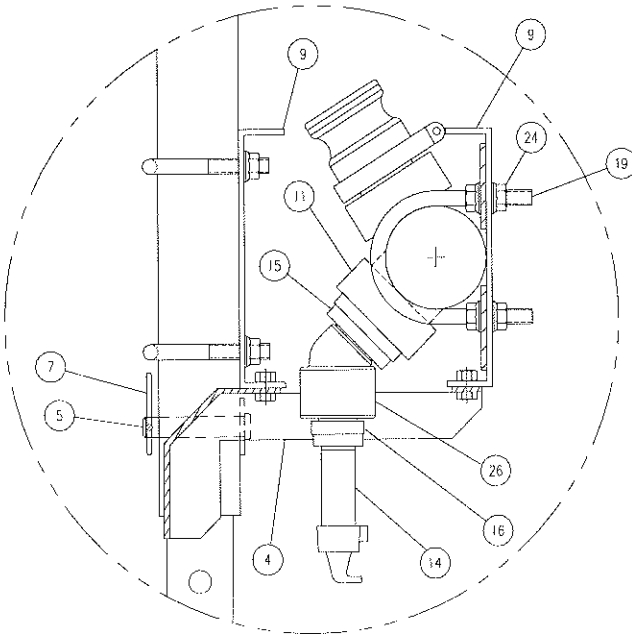
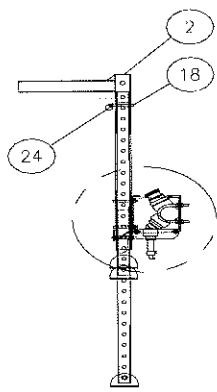
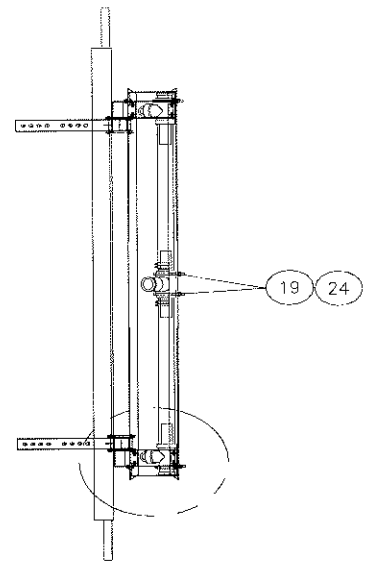
00118-933-00 & 00118-947-00

ITEM	PART NUMBER	DESCRIPTION	QTY.
1	00118-831-00	Weldment, Platform	1
2	04630-001-01	Reel, Hvy Dty W/50ft 1/2" Hose	1
3	00118-843-00	Leg, Lower	2
4	04102-149-01	Pump, 2" Poly W/5 Hp Honda Eng (-933)	1
4	04102-150-01	Pump, 2" Poly Hydraulic Driven (-947)	1
5	00118-853-00	Weldment, Hoop	2
6	04109-116-00	Fitting, 2" Tank Blkhd(Poly)	1
7	00118-840-00	Brkt, Mtg, Wheel	2
8	00118-835-00	Foot, Leg, Platform, Anti-Ice	2
9	04109-149-00	Fitting, 2" Bulkhd Anti-Vortex	1
10	04109-150-00	Fitting, 2 Mpt X 1.5 Hse 90 Dg	1
11	00118-836-00	Spacer, Leg	2
12	04076-165-00	Pad, 3/8 Thk X 8 X 10 Neoprene	1
13	00118-855-00	Spacer, Tank	4
14	00115-947-11	Rod, Strap, 61" X 5/8-11 Thd	1
15	04054-037-00	Wheel, 5" Nylon Anti-Ice Md	2
16	04622-065-00	Tank, 550 Gal Poly Anti-Ice Md	1
17	04622-066-00	Surge Buster, Poly 15" Opening	11
18	04049-390-00	Decal, Warning, Pump	1
19	04109-148-05	Clamp, 1" Flange	2
20	04109-148-04	Clamp, 2" Flange	7
21	04014-004-02	Pin, 1/2" X 2 1/2" Clevis	2
22	04011-001-01	Keeper, Hairpin Small	2
23	04090-033-00	Clamp, 2" Flange Full Port Wrm	6
24	04090-032-01	Clamp, 2" Hose T-Bolt	2
25	04090-021-00	Clamp, 1" Hose	8
26	04003-002-43	Bolt, 5/16-18 X 1 3/4 Hh Gr5zp	4
27	04004-002-07	Flatwasher, 5/16" U.S.S. Zp	4
28	04090-016-00	Clamp, 1 1/2" Hose S.S.	4
29	04003-806-01	Nut, 5/16-18 Ser Flange Zp	4
30	04610-030-00	Hose, 1 1/2" Low Temp Suction	5 FT.
31	04003-003-03	Bolt, 3/8-16 X 1 Hh Gr5 Zp	4
32	04004-002-08	Flatwasher, 3/8" U.S.S. Zp	8
33	04004-001-07	Lockwasher, 3/8" Med Split Zp	4
34	04003-801-09	Nut, 3/8-16 Hex Zinc Plate	4
35	04610-026-00	Hose, 1" Nyl Braid Clear Pvc	2.5 FT.
36	04003-004-09	Bolt, 7/16" X 3 1/2" Hh, Gr5zp	2
37	04004-002-09	Flatwasher, 7/16" U.S.S. Zp	4
38	04003-801-10	Nut, 7/16-14 Hex Zinc Plate	2
39	04003-804-05	Locknut, 7/16-14 Nyl Ins Zp	2
40	04003-005-02	Bolt, 1/2-13 X 1 1/4 Hh Gr5 Zp	4
41	04003-005-10	Bolt, 1/2-13 X 3 Hh Gr5 Zp	2
42	04003-005-22	Bolt, 1/2-13 X 4", Hh, Gr5, Zp	4
43	04004-002-10	Flatwasher, 1/2" U.S.S. Zp	6
44	04003-804-06	Locknut, 1/2-13 Nyl Ins Zp	10
45	04003-806-03	Nut, 1/2-13 Serrated Flange Zp	4
46	04004-002-14	Flatwasher, 5/8" U.S.S. Zp	6
47	04003-807-12	Locknut, 5/8-11 Top Lock Zp	2
48	00118-842-00	Leg, Upper	2
49	04610-028-00	Hose, 2" Id Poly 50#Wp Clr Mesh	1 FT.
50	04610-025-00	Hose, 1/2" Id Nyl Braid Clr Pvc	1.5 FT.

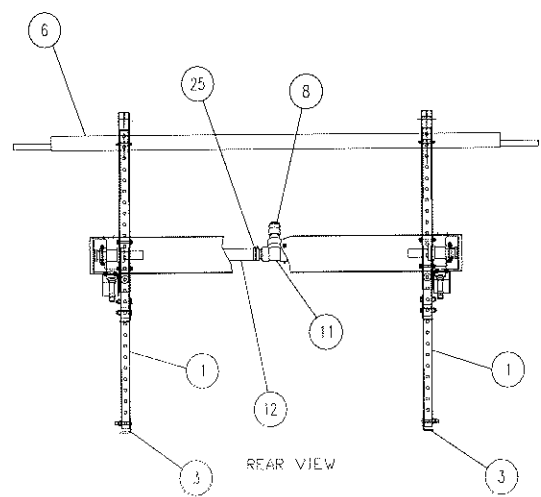
ITEM	PART NUMBER	DESCRIPTION	QTY.
51	04106-027-00	Gauge, Dial 0-160 Botm 1/4"Mpt	1
52	04105-359-01	Valve, Elec 1" Thd, Flngd Init	1
53	04110-049-01	Plug, 2" Flange W/.25 Fpt Ga Pt	1
54	04109-144-01	Tee, 2" Flange	2
55	04109-146-01	Adapter, 2" Flange X 2" Mpt.	1
56	04110-006-16	Elbow, 1 1/2" 90 Deg. Str.(Pol)	1
57	04004-001-06	Lockwasher, 5/16" Med Split Zp	4
58	04078-036-00	Coupler, 1 1/2" Quick	1
59	04110-014-25	Coupling, 1-1/2"X1" Rdcr,Poly	1
60	04109-126-00	Shank, 1" Npt X 1" Barb (Poly)	1
61	04109-154-00	Fitting, 1" Fpt, 1" Hose Barb	1
62	04106-028-00	Meter, 1" Mpt In-Line Flow	1
63	04110-006-17	Elbow, 1" 90 Deg. Street(Poly)	1
64	04109-151-00	Fitting, 1"Flange, 1" Fpt Poly	1
65	04110-050-00	Tee, 2"X2"X1" Flange (Poly)	1
66	04109-153-00	Fitting, 2"Flange, 2"Fpt Poly	1
67	04110-017-39	Reducer, 2"Mpt, 3/4" Fpt Poly	1
68	04109-119-00	Elbow, 3/4 Npt X 1/2 Barb	1
69	04109-114-00	Elbow, 1/2" Npt X 1/2"Barb(Pol)	1
70	04110-017-15	Bushing, 1/2 X 3/8 Hex Red Bra	1
71	04630-002-01	Spray Gun, Brass 1/2fpt Hvy Dt	1
72	04109-152-00	Fitting, 2"Flange, 2"Mpt Poly	1
73	04103-049-01	Strainer, 2"Flng Line 30 Mesh	1
74	04109-145-05	Fitting, 2"X2" Flng Ful Prt	2
75	04110-051-00	Tee, 2"X2"X2" Flng Ful Prt	1
76	04105-362-01	Valve, 2"Flng, 2" Male Couplr	1
77	04078-043-00	Cap, Quick Coupler 2"	1
78	04109-145-04	Elbow,2"Flng,2"Hse 90d Fulprt	1
79	04109-133-00	Fitting, 2"Mpt X 2"Barb (Poly)	1
80	04105-361-00	Valve, 2"Fpt, 3-Way Ball, Poly	1
81	04110-005-10	Elbow, 2" 45 Degree Poly	2
82	04078-049-00	Coupler, 2"Female Quik W/2"Mpt	1
83	04078-035-00	Plug, 2" Quick Coupler	1
84	04110-032-17	Nipple, 2"Mpt, 4" Long Poly	1
85	04109-145-03	Elbow, 2" Flange 90 Deg Short	1
86	04109-146-05	Adapter 2" Flange X 1 1/2" Mpt	1
87	04109-105-00	Elbow, 1 1/2 Npt X 1 1/2 Barb	1
88	04049-002-00	Decal, Swenson-Black	2
89	04049-244-00	Decal, Caution	2
90	04049-364-00	Decal, Danger Leg Stand	4
92	04105-360-00	Valve, 1 1/2"Fpt, 1 1/2" Union	1
93	04109-148-06	Gasket, 2" Flange	7
94	04109-148-07	Gasket, 1" Flange	2
95	04109-148-08	Gasket, 2" Full Port Flange	6
96	04896-048-00	Pin, Male Prong, Female Plug	3
97	04896-045-00	Connector, 3-Wire Female Plug	1
98	04896-126-00	Seals, Cable (22 Ga. Wire)	3



CUT-AWAY TOP VIEW OF SPRAY BOOM COMPONENTS  
TYPICAL BOTH ENDS



CUT-AWAY END VIEW OF SPRAY BOOM COMPONENTS  
TYPICAL BOTH ENDS



REAR VIEW

# SPRAY BAR ASSEMBLY

00118-944-00

ITEM NO.	PART NUMBER	DESCRIPTION	QTY.
1	00118-843-00	Leg, Lower	2
2	00118-841-00	Weldment, Leg, Rear	2
3	00118-835-00	Foot, Leg, Pilform, Anti-ice	2
4	00118-849-00	Weldment, Guard, Nozzle	2
5	04014-004-02	Pin, 1/2" X 2 1/2" Clevis	2
6	00118-846-00	Weldment, Latch, Tailgate	1
7	04011-001-01	Keeper, Hairpin Small	2
8	04078-038-00	Coupler, 1 1/2" Quick, Male	1
9	00118-848-00	Forming, Channel Spray Boom Md	2
10	00118-860-00	Forming, Spacer Spray Boom Md	2
11	04109-080-00	Tee, 1 1/2" Poly Npt	3
12	04610-030-00	Hose, 1 1/2" Low Temp Suction	6
13	04109-088-00	Plug, 1 1/2" Npt Pipe(Plastic)	2
14	04078-050-00	Nozzle, 1/2" Mpt Var Orfc Poly	2
15	04110-017-29	Bushing, 1 1/2x3/4 Hex Red Pol	2
16	04110-017-30	Bushing, 3/4 X 1/2 Hex Red(Pol	2
17	04109-108-00	Nipple, 1 1/2" King (Poly)	4
18	04048-524-01	U-Bolt, 3/8" Square	6
19	04048-511-02	U-Bolt, 3/8"-16 For 2" Pipe	4
20	04003-001-02	Bolt, 1/4-20 X 3/4 Hh Gr5 Zp	8
21	04004-001-05	Lockwasher. 1/4"Med Split Zp	8
22	04003-801-07	Nut, 1/4-20 Hex Zinc Plate	8
23	04003-003-01	Bolt, 3/8-16 X 3/4 Hh Gr5 Zp	4
24	04003-806-02	Nut, 3/8-16 Serrated Flange Zp	28
25	04090-016-00	Clamp, 1 1/2" Hose S.S.	8
26	04110-007-12	Elbow, 3/4" X 45 Deg St (Poly)	2

# NAME PLATE INFORMATION

- When ordering parts or requesting information or assistance, always include the information listed below.
- The Model Number and Serial Number for the Spreader are shown on the name plate.
- The space below is provided as a convenient place to record these numbers; just fill in the blanks.

MODEL NUMBER \_\_\_\_\_

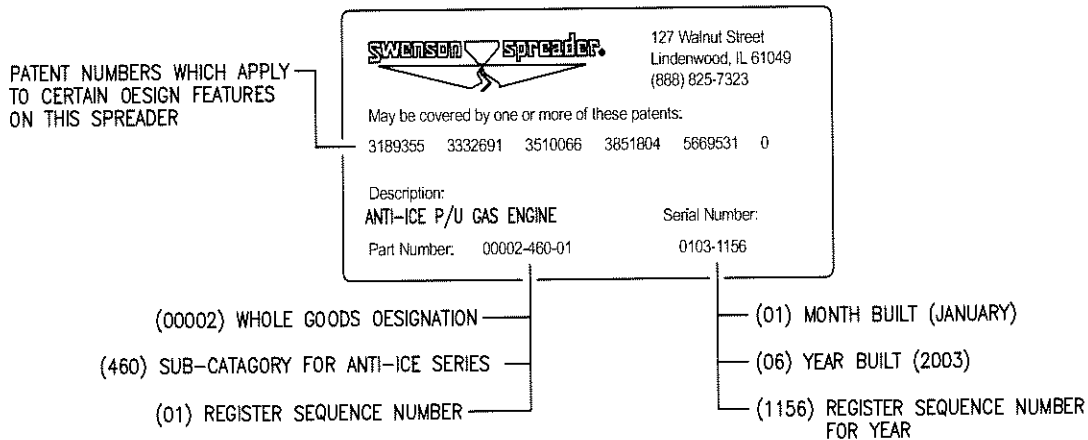
SERIAL NUMBER \_\_\_\_\_

DATE PURCHASED \_\_\_\_\_

DEALER PURCHASED FROM \_\_\_\_\_

DEALER'S SERVICE DEPARTMENT PHONE NUMBER \_\_\_\_\_

## EXPLANATION OF SERIAL NUMBER DECAL



NOTE: Numbers shown on decal below are for example purposes only. Refer to decal on spreader for recording numbers above.

**CALL YOUR AUTHORIZED SWENSON SPREADER DEALER FOR PARTS AND SERVICE**  
**SWENSON SPREADER (815) 393-4455**  
**TOLL FREE (888) 825-7323**  
**FAX (866) 310-0300**  
**email: swensonsales@swensonspreader.com**

**NOTICE: INSTRUCTIONAL MATERIAL AND PARTS LISTS INCLUDED IN THIS MANUAL ARE SUBJECT TO CHANGE WITHOUT NOTICE.**



Effective 5/1/99

Dealers have the responsibility of calling to the attention of their customers the following warranty prior to acceptance of an order from that customer for any SWENSON® product.

## WARRANTY

SWENSON warrants to the original purchaser for use that, if any part of the product proves to be defective in material or workmanship within one year from the date of original installation, and is returned to SWENSON within 30 days after such defect is discovered, SWENSON will (at our option) either replace or repair said part. This warranty does not apply to damage resulting from misuse, neglect, accident or improper installation or maintenance. Said part will not be considered defective if it substantially fulfills the performance specifications. **THE FOREGOING WARRANTY IS EXCLUSIVE AND IN LIEU OF ALL OTHER WARRANTIES OF MERCHANTABILITY, FITNESS FOR PURPOSE AND OF ANY OTHER TYPE, WHETHER EXPRESS OR IMPLIED.** SWENSON® neither assumes nor authorizes anyone to assume for it any other obligation or liability in connection with said part and will not be liable for consequential damages.

All gasoline engines and hydraulic pumps are warranted by their manufacturer and not by Swenson Spreader LLC. Electrical or hydraulic components are not to be disassembled without the express written permission of Swenson Spreader LLC. Defective parts returned to Swenson Spreader LLC must be accompanied by the following information: spreader model, serial number, date installed and dealer from whom purchased.

Purchaser accepts these terms and warranty limitations unless the product is returned within fifteen days for full refund of purchase price.



SWENSON SPREADER LLC  
P.O. BOX 127  
LINDENWOOD, ILLINOIS 61049-0127

PHONE: (815)393-4455  
TOLL FREE: (888)825-7323  
SALES & SERVICE FAX: (866)310-0300

email: [swensonsales@swensonspreader.com](mailto:swensonsales@swensonspreader.com)  
website: [www.swensonspreader.com](http://www.swensonspreader.com)

**IMPORTANT  
INFORMATION  
ENCLOSED**

