

DO NOT THROW AWAY

INSTALLATION, OPERATING INSTRUCTIONS, AND PARTS LIST MANUAL

Read Before Installation

DUMP BODY



swenson  **spreader®**



Manual No.: 00117-981-01

Revision: A

Dated: January 22, 2009

TABLE OF CONTENTS FOR SWENSON SPREADER DUMP BODY

Description	Page Number(s)
Safety Precautions: _____	3
Safety Decals: _____	4 - 6
Body Mounting Instructions & Hydraulic Specs.: _____	7 - 8
Direct Frame Mounting Instructions: _____	9
Hoist Lift Frame Installation: _____	10
Body Prop Installation: _____	11
Body Operating Instructions: _____	12
Recommended Maintenance: _____	13
Hauling and Dumping Instructions: _____	14
Bolt Torque Data: _____	15
Assembly Drawings & Parts Lists: _____	16 - 24
Dump Body Assembly & Parts List: _____	16 - 17
Cab Shield Assembly & Parts List: _____	18
Cab Shield Mounting Instructions: _____	19
Tailgate/Feedgate Assembly & Parts List: _____	20
Ladder Assembly & Parts List: _____	21
Under Tailgate Latch Assembly & Parts List: _____	22
Lighting System Assembly & Parts List: _____	23
Hoist w/Sub-Frame Assembly & Parts List: _____	24
Serial Number Decal: _____	26
Warranty: _____	27 (Inside, Back Cover)

SAFETY PRECAUTIONS

The best safety device is a careful operator!



This symbol means **ATTENTION!**
Become Alert!
Your safety is involved!
Please read and understand completely before doing!

BEFORE PERFORMING MAINTENANCE OPERATIONS, PARK VEHICLE ON LEVEL GROUND. SET PARKING BRAKE, SHUT OFF ALL POWER, AND MAKE SURE ALL MOVEMENT HAS STOPPED. IF BODY IS RAISED, IT MUST BE SECURELY BLOCKED SO IT CANNOT COME DOWN. SUPPORT BLOCKS MUST NOT BE REMOVED UNTIL THERE IS NO DANGER OF ANYONE BEING UNDER BODY WHEN BODY IS LOWERED.



Improper use of this equipment can result in serious injury. To reduce this possibility, give complete and undivided attention to the job at hand, and follow these safety precautions.

PREPERATION:

Know your controls. Read this instruction manual. Learn how to stop the equipment quickly in an emergency.

Do not allow children to operate machine; nor adults to operate it without proper instructions.

Keep all individuals not involved in the use of the equipment a safe distance away.

A copy of this manual should be available in the cab at all times. A copy may be obtained from your local dealer or download from www.swensonspreader.com.

OPERATION:

Do not exceed rated capacities of chassis or hoist.

Observe and shut off all equipment controls before starting engine so equipment will not unintentionally operate when engine is started.

Always check area around machine before engaging or operating controls.

Vehicle should be on a flat surface prior to raising bed. Operation on slippery uneven terrain may result in equipment damage or personal injury.

Know the material you are hauling and plan your haul to avoid "set up" or freezing of the load in the dump body. In the event that a load becomes stuck or frozen in the body, do not abuse, overload, or damage the truck, hoist, or body in efforts to quickly free the load. It may be necessary to thaw indoors to safely remove such a load.

In the event that shoveling or mechanical means are used to free the stuck load, be sure the load is NOT hoisted and the tailgate, if opened, is secured properly before starting this effort. If hoisted, a stuck load, or portion, could release unexpectedly and cause injury to personnel or damage to the body, truck, or surroundings.

Some materials such as mud, or sludge, may shift easily when wet, resulting in increased tendency to overturn the truck on curves, unstable ground, or side slope situations. Reduce load size, speeds, and side slopes, and use care and planning to avoid this potential occurrence.

Unload the body and securely prop and block a raised body before any service, inspection, or repair work is started.

Be sure the PTO is disengaged before traveling. Failure to disengage the PTO from driving the pump/valve when in transit may allow the dump body to rise unintentionally. This may lead to loss of vehicle control, accidental injury and/or property damage.

Lift points are provided to safely lift body assembly. Never lift or handle loaded body, empty material prior to handling the body.

Always wear relatively tight and belted clothing when operating equipment. Loose jackets, shirts sleeves or other loose clothing should not be worn because of the danger of catching them in moving parts or controls.

Stop and inspect equipment if unusual movement, sounds, or noises are observed. Repair damage before restarting and operating the equipment.

Disengage power to all operating equipment: (1) before leaving operator's position, (2) before making any repairs or adjustments, or (3) when not in use.

Take all possible precautions when leaving the equipment unattended; such as disengaging the hydraulic system, shifting vehicle out of gear, setting parking brake, shutting off engine and removing key. Never leave raised body unattended.

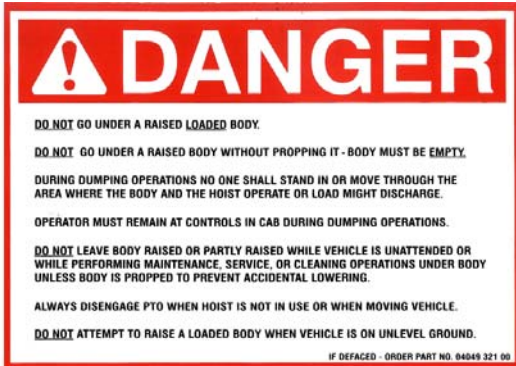
SAFETY DECALS

NOTICE:

1. It is the responsibility of the Dump Body Installer to apply all safety decals to the body, in a secure manner, in locations shown on page 6 of this instruction manual.
2. It is the responsibility of the Owner of the Dump Body to replace any or all safety decals which become unreadable or otherwise defaced.
3. Read and observe all "Danger" and "Caution" safety decals appearing on equipment.

The following safety decals appear in various locations on your Dump Body, refer to page 6 for approximate locations.

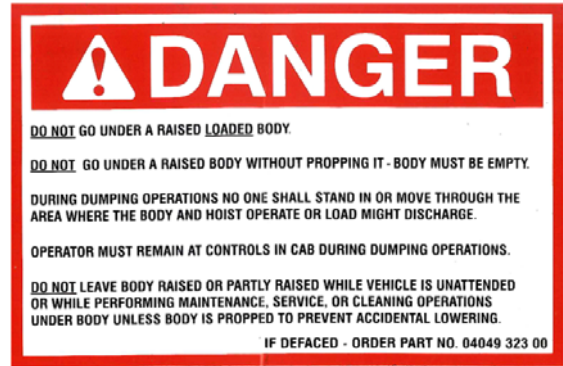
The sizes of the decals shown in this manual have been reduced in order to save paper space. Each decal has dimensions listed for actual sizes.



Part Number: 04049-321-00
Actual Decal Size: 7.75" x 5.50"
See decal location on page 6.

This decal alerts all to the danger of being under a raised Dump Body where serious personal injury could result if the body were to come down.

This decal also alerts the operator to precautions necessary to eliminate other dangerous situations associated with a raised body.



Part Number: 04049-323-00
Actual Decal Size: 5.375" x 3.50"
See decal location on page 6.

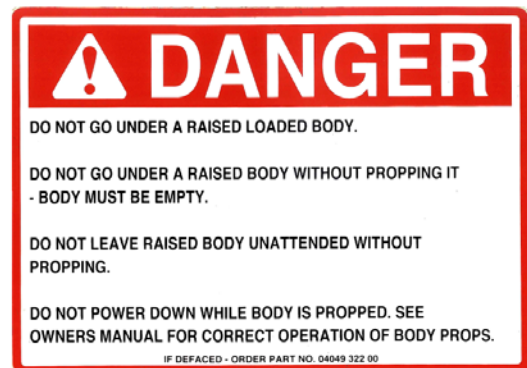
This decal alerts all to the danger of being under a raised Dump Body where serious personal injury could result if the body were to come down.

This decal also alerts the operator to precautions necessary to eliminate other dangerous situations associated with a raised body.



Part Number: 04049-045-00
Actual Decal Size: 4.00" x 4.25"
See decal location on page 6.

This decal cautions all to observe general safety procedures when operating this equipment.

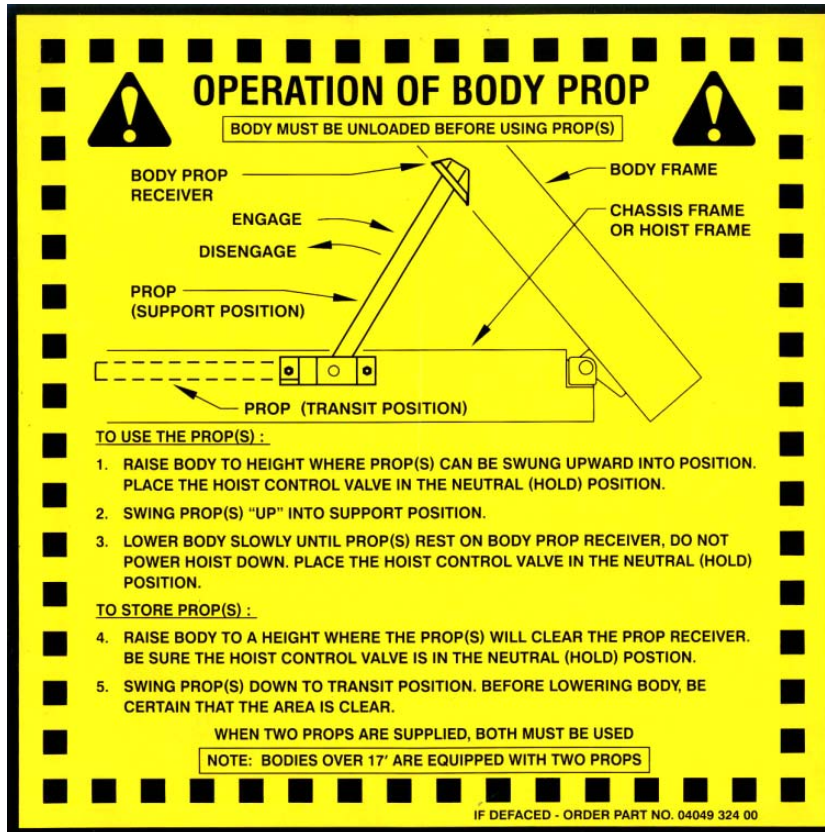


Part Number: 04049-322-00
Actual Decal Size: 7.75" x 5.50"
See decal location on page 6.

This decal alerts all to the danger of being under a raised Dump Body where serious personal injury could result if the body were to come down.

This decal also alerts the operator to precautions necessary to eliminate other dangerous situations associated with a raised body.

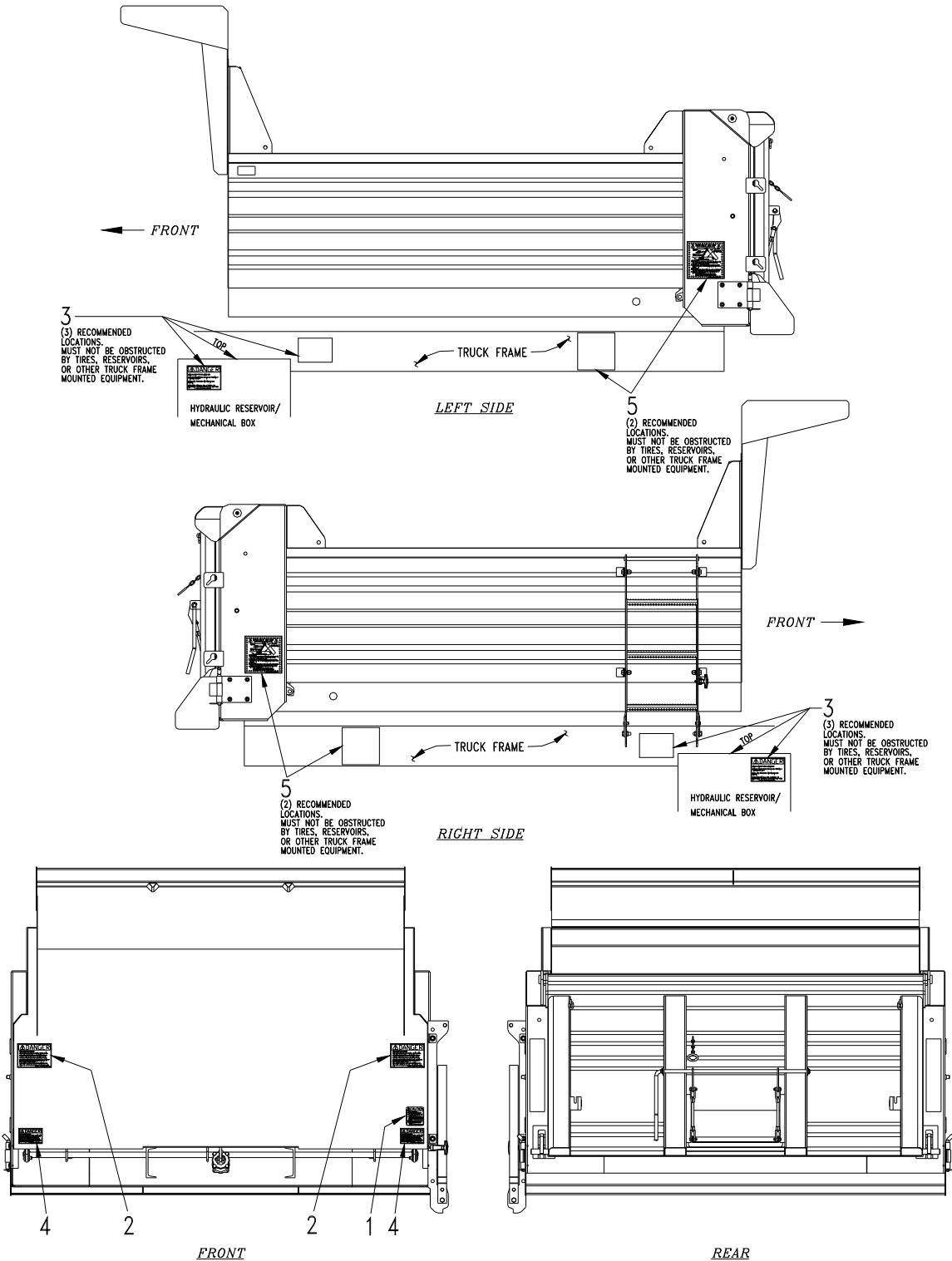
SAFETY DECALS (CONTINUED)



Part Number: 04049-324-00
Actual Decal Size: 8.50" Square
See decal location on page 6.

This decal instructs the equipment operator on the safe use of the Dump Body prop.

LOCATION OF SAFETY DECALS



BUILD\DECAL_LOCATION.dwg

<u>Decal</u>	<u>Part Number</u>	<u>Qty.</u>	<u>Description</u>
1	04049-045-00	1	General Caution Decal (4 1/4" x 4" yellow and black)
2	04049-321-00	2	Body General Danger Decal (7 3/4" x 5 1/2" red and white)
3	04049-322-00	2	Truck Frame Danger Decal (7 3/4" x 5 1/2" red and white)
4	04049-323-00	2	Body General Danger Decal (5 3/8" x 3 1/2" red and white)
5	04049-324-00	2	Prop Operation Decal (8 1/2" x 8 1/2" yellow and black)

STANDARD BODY MOUNTING INSTRUCTIONS

Initial Hoist Installation:

1. When installing cylinder, be sure cylinder is standing upright when fully retracted. Maximum initial force to raise body is achieved in this position. Some movement at the top of the cylinder can be expected and is acceptable.
2. Raise body slowly and check to be sure outer protective cover does not contact base tube or outer tubes while extending.
3. Body guide bars are included in the hoist and body mounting parts package. Circumstances (such as longer bodies) on your installation may require the use of guide bars, however under normal conditions guide bars are not recommended. Closely fitting guide bars prevent small amounts of side-to-side hoist cylinder movement. This in turn forces the outer protective cover against the base tube thus scratching it when cylinder extends.

Note: For storage and shipping purposes, cylinders are lightly coated with oil as a moisture barrier. During first several strokes of cylinder this oil may be seen dripping from cylinder parts, but will cease as cylinder is used.

Review & Evaluation:

1. Review and evaluate the truck chassis rating data including frame, tires, axles, etc., to determine allowable body location based on axle loads and Gross Vehicle Weight.
2. Review the dump body dimensions and any auxiliary equipment to be installed considering space and potential interference. Physical fit of these additional components often determines the setback required from the cab wall.
3. Minimum setback allowable is three inches between the cab wall and the headsheet of the dump body. In locating the body, it is important to note that all NTEA hoist ratings and angles are based on a standard 12" overhang past the hinge.

Setback Dimension:

1. Using the setback dimension determined, measure the setback for the front of the body headsheet and mark the frame at this point. The cradle will mount protruding beyond the front of the body headsheet 1 1/2".
2. Measure the dimension from the body front along the frame to the location of the rear hinge assembly and mark this point. Note the body size and its appropriate body length dimension.
3. Check the locations regarding truck frame detail fit such as cross members, bolt patterns, etc., and adjust the setback dimension as needed.
4. After final setback and hinge location is measured and marked, the frame can be marked for cutting to install the rear hinge assembly. A frame cutout is needed for the rear hinge. It is advisable to lift the body into position and "real fit" the unit at this time. This will allow physical fit checks of any auxiliary equipment and avoid potential rework effort later. When marking hinge height cut marks - note the relationship of the truck frame and hinge angle depends on the mounting method.

Squareness to Truck Frame:

1. As a check of proper squareness to the truck frame, measure the dimension from the centerline of the hinge pin to the centerline of the cradle pin.
2. Measure each side for equal dimensions. A four foot long straight edge placed through the cradle pin block can extend out to the frame edge for measuring.

Trimming Body Longsills:

1. The body longsills are trimmed at the cradle area to allow for installing the body to rest directly on the full length of the truck frame. This method provides the best support for the longsills and provides the lowest possible mounting height.
2. To use this method, check to be sure no bolts, rivets, or frame height differences occur along the frame top flanges. Use spacers, if these occur, to obtain a uniform, flat surface for the longsills. Before choosing this method, check with the specific chassis supplier to be sure direct-to-frame installation is acceptable for the unit.

Continued on next page

STANDARD BODY MOUNTING INSTRUCTIONS

(Continued)

Hoist Crate Alignment & Mounting:

1. Locate the hoist cradle assembly on the frame based on the setback dimension. The cradle front surface of the large angle will protrude past the front surface of the headsheet.
2. Lift the body and block it securely to gain access to position the cradle on the frame.
3. Center and square the cradle, then clamp into position.
4. Check the hydraulic reservoir location dimensions as mounting angles may be very close and require clearance on some trucks.
5. Position the cradle mounting angles along the frame and clamp them up under the cradle weldment and heavy tack weld in place.
6. With the rear hinges located and partially welded, the hoist cylinder should be installed to check vertical alignment and doghouse clearances.
7. Some adjustment of the cradle position may be required before final welding of the cradle mounts.

Final Hoist Installation:

1. With the body raised and securely propped, the hoist cylinder can be installed.
2. Remove cylinder retaining bars from the cradle mounting block - noting the marks on each and keeping orientation the same for these mated parts.
3. Secure the base sections of the cylinder to the cylinder cover section to prevent extension before lifting. Crimping steel banding around the upper and lower trunnion pins on one side is one method.
4. Lift the secured hoist cylinder into position, turn the hydraulic port to desired side.
5. Gently lower the cylinder into the mounting blocks and bolt the retaining caps into their original positions. Torque the cap screws to (260 ft/lbs dry) or (200 ft/lbs lubed).

CAUTION: If a cabshield is already installed, be sure that the cabshield is notched to match the doghouse before installing or raising body.

HYDRAULIC SPECIFICATIONS

Hydraulic Oil _____ Good grade of MS10W hydraulic oil which has wear, oxidation, and foam inhibitors.

Single and Double Acting Cylinders:

Working Pressure of Hoist Cylinder _____ 2000 PSI

Relief Valve Setting _____ 2200 PSI

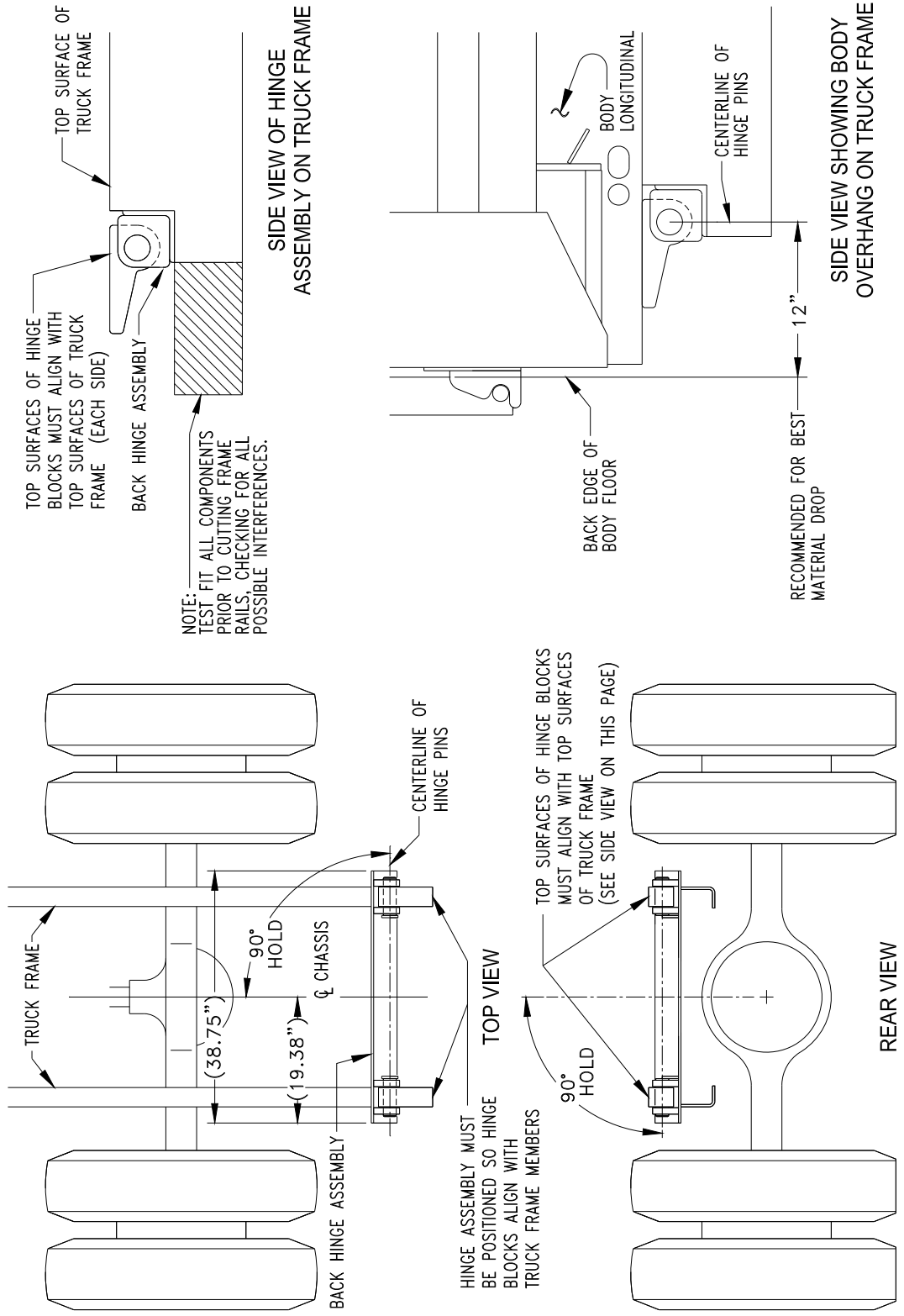
STANDARD "DIRECT FRAME" MOUNTING, HOIST AND PROP



DANGER! Observe all safety precautions during all installation procedures. Never be under or allow anyone else to be under a raised body without proper support.

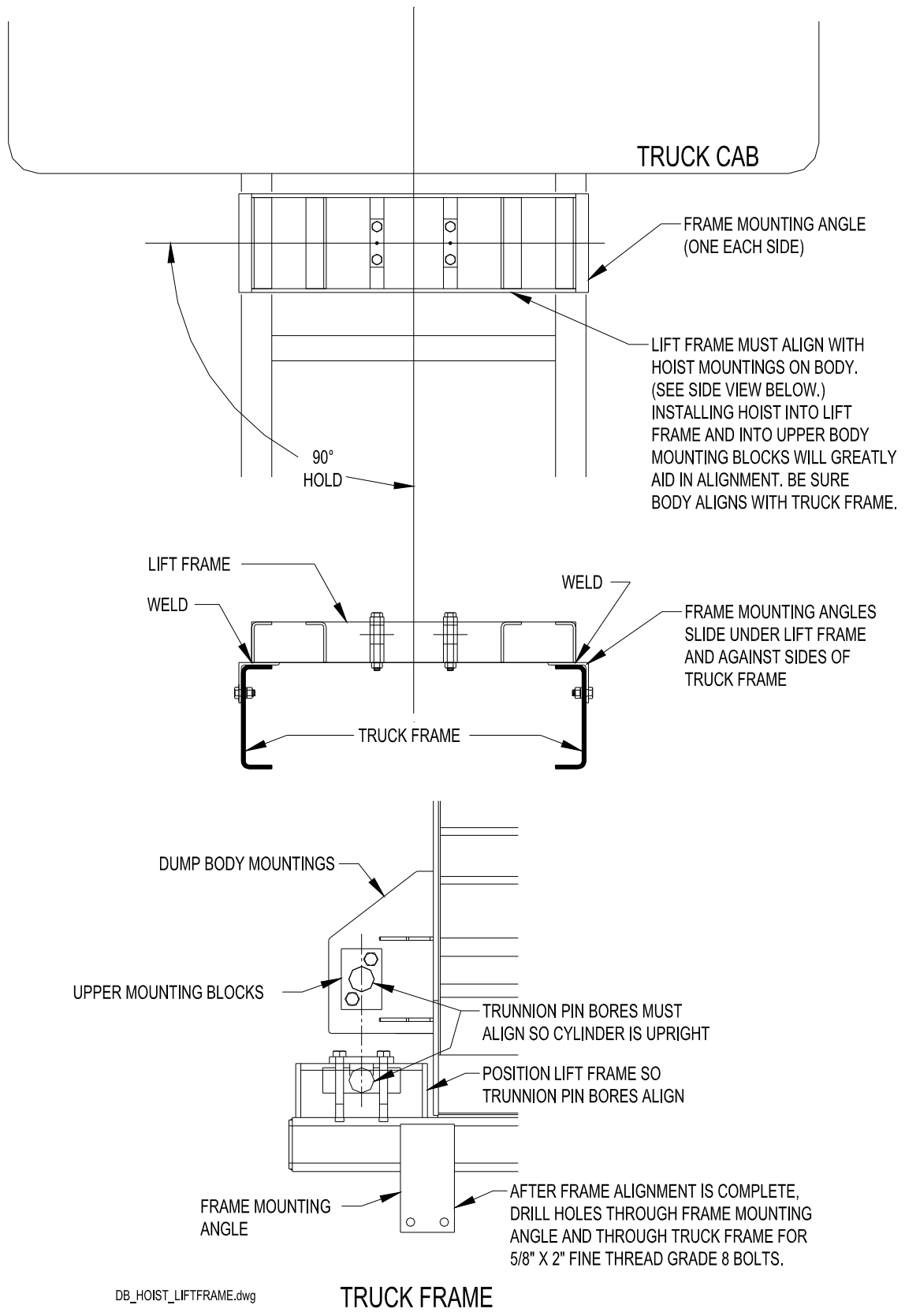
INSTALLING BACK HINGE ON TRUCK FRAME

In order for body to raise and lower properly without placing undo stress on truck frame and body frame, it is necessary to pay particular attention to alignment and squareness of rear hinge on truck frame.



INSTALLING HOIST LIFT FRAME ON TRUCK FRAME

It is recommended that rear hinge and body be installed first in order for hoist lift frame to be located in best alignment with hoist mountings on front of body. See "SIDE VIEW" illustration below.



DB_HOIST_LIFTFRAME.dwg

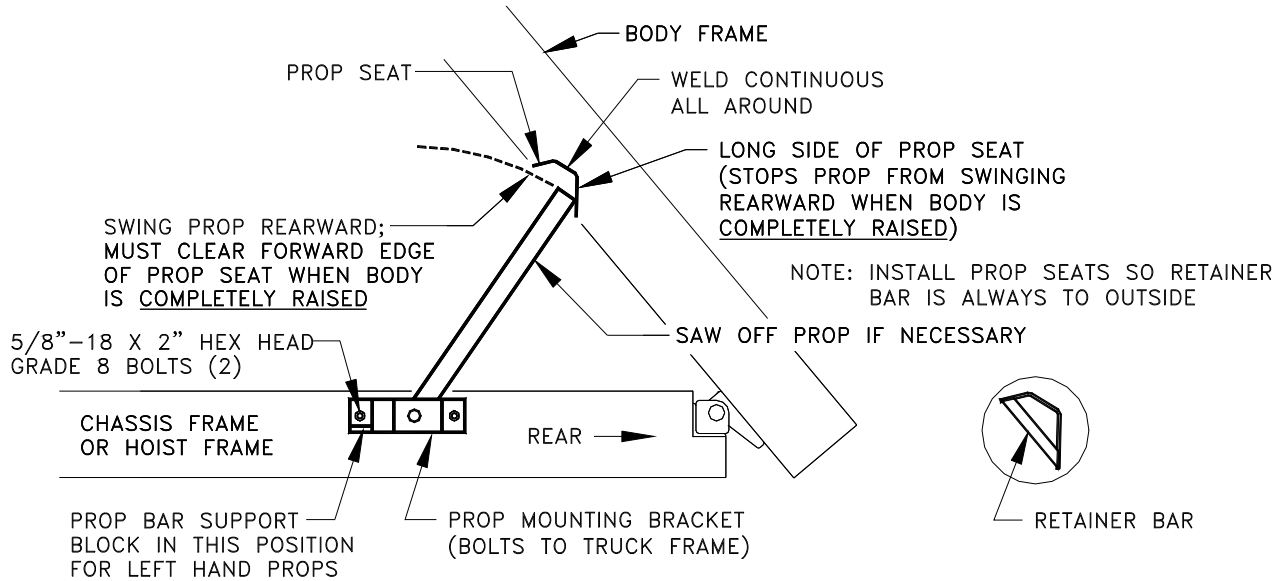
TRUCK FRAME

INSTALLING BODY PROP

DANGER!

To avoid serious injury, during all prop installation procedures when body is raised, body must be securely blocked at all times so it cannot come down. Support blocks must not be removed until there is no danger of anyone being under body when body is lowered.

After prop installation is complete, raise and lower body slowly to make sure prop functions properly as noted in illustration.



STANDARD LEFT HAND PROP INSTALLATION IS SHOWN, FOR RIGHT HAND INSTALLATION, USE RIGHT HAND PROP PARTS (IF FURNISHED). ABOVE INSTRUCTIONS STILL APPLY, BUT ARE OPPOSITE HAND.

BODY OPERATING INSTRUCTIONS



WHEN STARTING UP NEW EQUIPMENT, BE SURE EVERYONE IS STANDING CLEAR; WATCH FOR ANYTHING THAT MAY REQUIRE SHUTTING SYSTEM DOWN.

Initial Start Up

1. Fill reservoir about three-fourths full with high grade, non-foaming hydraulic oil. **KEEP OIL CLEAN!**
2. Move valve on-off lever to **OFF** position.
3. Engage PTO and allow hydraulic oil to circulate several minutes to warm up.
4. Move valve on-off lever to **ON** position.
5. Check entire hydraulic system for leaks.
6. Refill reservoir to three-fourths full.
7. Hydraulic system is ready for use.

RECOMMENDED REGULAR MAINTENANCE



BEFORE PERFORMING MAINTENANCE OPERATIONS, PARK VEHICLE ON LEVEL GROUND. SET PARKING BRAKE, SHUT OFF ALL POWER, AND MAKE SURE ALL MOVEMENT HAS STOPPED. IF BODY IS RAISED, IT MUST BE SECURELY BLOCKED SO IT CANNOT COME DOWN. SUPPORT BLOCKS MUST NOT BE REMOVED UNTIL THERE IS NO DANGER OF ANYONE BEING UNDER BODY WHEN BODY IS LOWERED.

1. **Periodic lubrication is required for proper operation.** The following are components that require regular and/or seasonal inspection and lubrication. Refer to lubrication schedule chart for frequency.

For all points of lubrication, use good standard practice of wiping clean the area of lubricant entry before adding lubricant.

- a. A grease fitting is provided on the latch handle pivot at left front corner of the body. Regular lubrication is required due to the loading and movement in this assembly.
 - b. A grease fitting is provided in each hinge block in rear body hinge assembly. Regular lubrication is required due to the loading and movement at these pivot points.
 - c. A grease fitting is provided in each of the upper hoist cylinder mounting blocks and in each of the lower cylinder mounting blocks. Regular lubrication is required due to the loading and movement at these pivot points.
 - d. Greasing universal joints in hydraulic pump drive line is recommended with each truck lubricating.
2. **Check the hoist cylinder retaining blocks and bolts** for any signs of loosening weekly and re-torque if needed. Check upper hinge pins and retainers after every load/dump to ensure proper engagement.

Check nuts, bolts, cotter pins, and control linkage parts for loose or worn parts weekly. Replace as needed.

3. **Inspect hinge assemblies** for loose or worn parts monthly. Keep areas around & under hinge blocks clean and free of debris.

4. **If hoist cylinder begins to close slowly while in use** due to combination dust-oil buildup on cylinder surfaces, hydraulic oil may be used to cleanse surfaces of each stage. Then apply a heavy coat of clean hydraulic oil, raise and lower cylinder two or three times and wipe off excess oil.

5. **Check hydraulic oil level in reservoir.** It should be visible in sight level gauge mounted on side of reservoir. A reservoir requiring periodic refilling indicates a leak exists. Maintaining a full reservoir will help aid a cooler hydraulic operation. See page 7 for hydraulic oil type.

IMPORTANT: AVOID GETTING CONTAMINANTS IN RESERVOIR WHEN FILLING.

6. **Check for oil leaks** at all hose fitting connections, and tighten if necessary.
7. **Hydraulic oil filter cartridge** should be replaced if gauge pointer is in red zone when hydraulic system is operating.

Body Lubrication Schedule Chart

TAILGATE LATCH HANDLE _____ WEEKLY
PIVOT (GREASE)

BODY REAR HINGE (GREASE) ___ EVERY 3 MONTHS

CYLINDER TRUNNION PINS _____ EVERY 3 MONTHS
(GREASE) (UPPER AND LOWER)

UNDER BODY PIVOT _____ EVERY 3 MONTHS
POINTS (GREASE)

LINKAGE ADJUSTMENT _____ EVERY 3 MONTHS
THREADS (GREASE)

HAULING AND DUMPING

General Hauling:

Your dump body may be used for hauling nearly all materials that are commonly hauled in ordinary dump bodies.

The under tailgate latch (air cylinder) is used to latch and unlatch tailgate for high volume dumping. Use tailgate chains for adjusting tailgate opening.

The tailgate can also be laid down using tailgate chains to support a level position.

Notice: Visible dents on body indicate materials larger than those recommended have been dropped into the body, and thus will void all warranties.

Hauling materials for ice and snow control operations:

Your dump body may be used for hauling all materials that are commonly used for spreading on road surfaces for ice and snow control operations. These will include salt and various abrasives, and mixtures consisting of various materials.

Materials should be relatively free flowing, and be free of anything larger than 3/4" chunks which will not crumble or otherwise be broken up. Larger materials will lodge in opening of low feedgate settings and disrupt set spread rates.

Hauling Asphalt:

Your dump body may be used for hauling all asphalt related materials that are commonly used in the pavement construction and patching industry. All body components will withstand 350 degree F hot asphalt. An available asphalt lip must be installed if unit is to be used for dumping into paving equipment.

APPROXIMATE BULK DENSITY OF COMMON MATERIALS

Material	Weight (lb/ft ³)
Ashes	38-47
Asphalt	45
Clay	50-60
Cement (Concrete)	85-150
Coal	39-52
Coke	39-52
Earth (Dirt)	73-95
Granite	97
Gravel	110
Limestone	60
Oak Chips	42-48
Pine Chips	26-45
Rip Rap	65
Salt	38-86
Sand	99-130
Shale	92
Snow (Packed)	50

**Weights are approximate values (referenced from several internet sources with similar values).
User is responsible for obtaining actual material weights.**

BOLT TORQUE DATA

The charts below provide information concerning standard hardware used on this product. It is recommended that all fasteners be tightened to the torque values listed. The grade of the bolt is identified by the markings on the head of the bolt (see picture below).

Standard Steel Bolt Torque Specifications

Standard Dry Torque in Foot-Pounds

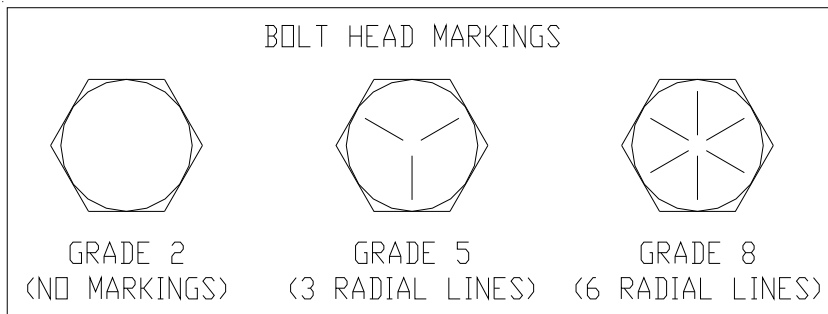
Bolt Size	SAE Grade 2	SAE Grade 5	SAE Grade 8
1/4-20	6	10	14
5/16-18	12	19	29
3/8-16	20	33	47
7/16-14	32	54	78
1/2-13	47	78	119
9/16-12	69	114	169
5/8-11	96	154	230
3/4-10	155	257	380
7/8-9	206	382	600
1-8	310	587	700

Standard Stainless Steel Bolt Torque Specifications

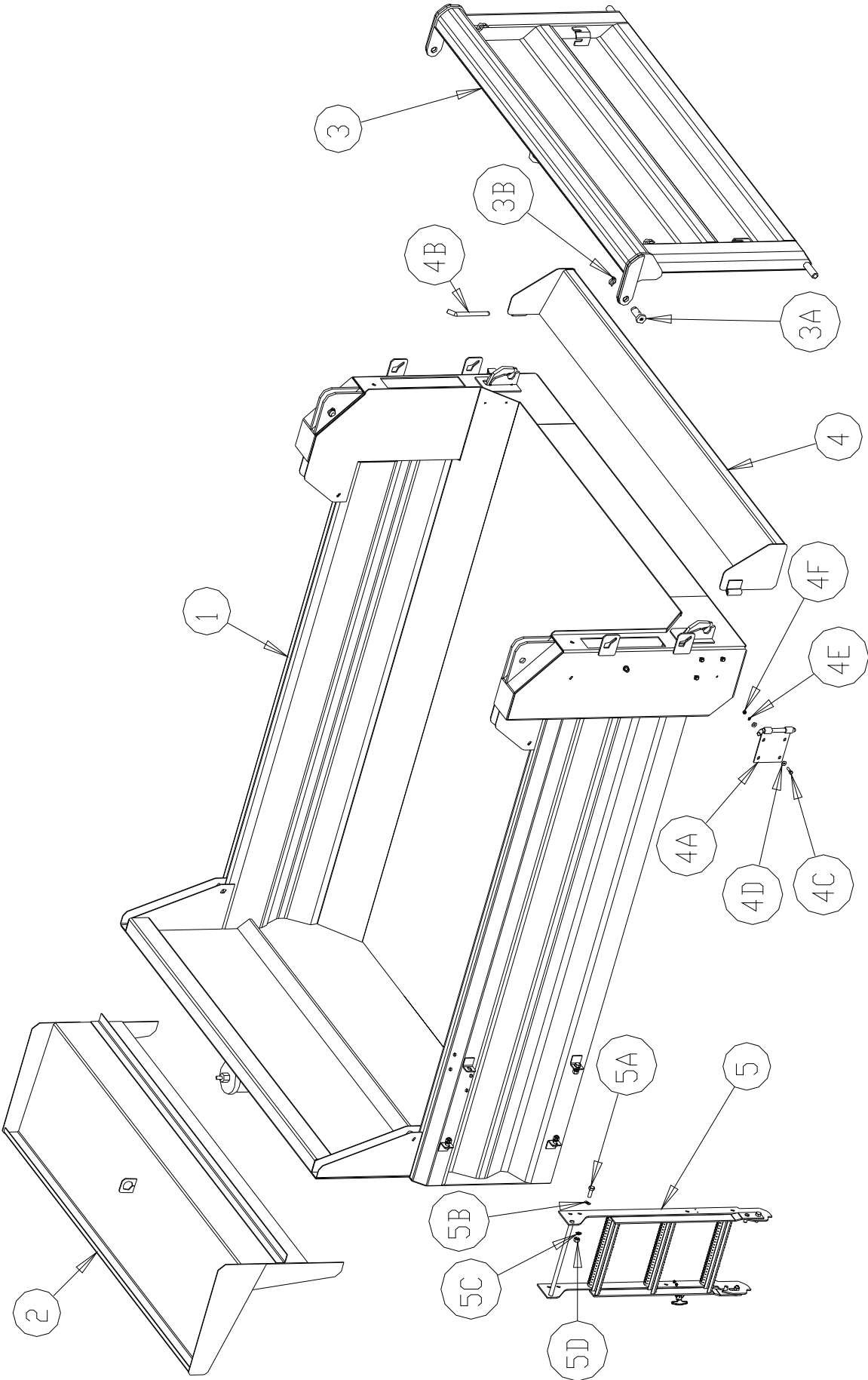
Standard Dry Torque in Foot-Pounds

Bolt Size	18-8 Stainless Steel	316 Stainless Steel
1/4-20	75.2	78.8
1/4-28	94.0	99.0
5/16-18	132	138
5/16-24	142	147
3/8-16	236	247
3/8-24	259	271
7/16-14	376	393
7/16-20	400	418
1/2-13	517	542
1/2-20	541	565
9/16-12	682	713
9/16-18	752	787
5/8-11	1110	1160
5/8-18	1244	1301
3/4-10	1530	1582
3/4-16	1490	1558
7/8-9	2328	2430
7/8-14	2318	2420
1-8	3440	3595
1-14	3110	3250

Bolt Torque Specifications were referenced from www.engineershandbook.com.



DUMP BODY ASSEMBLY

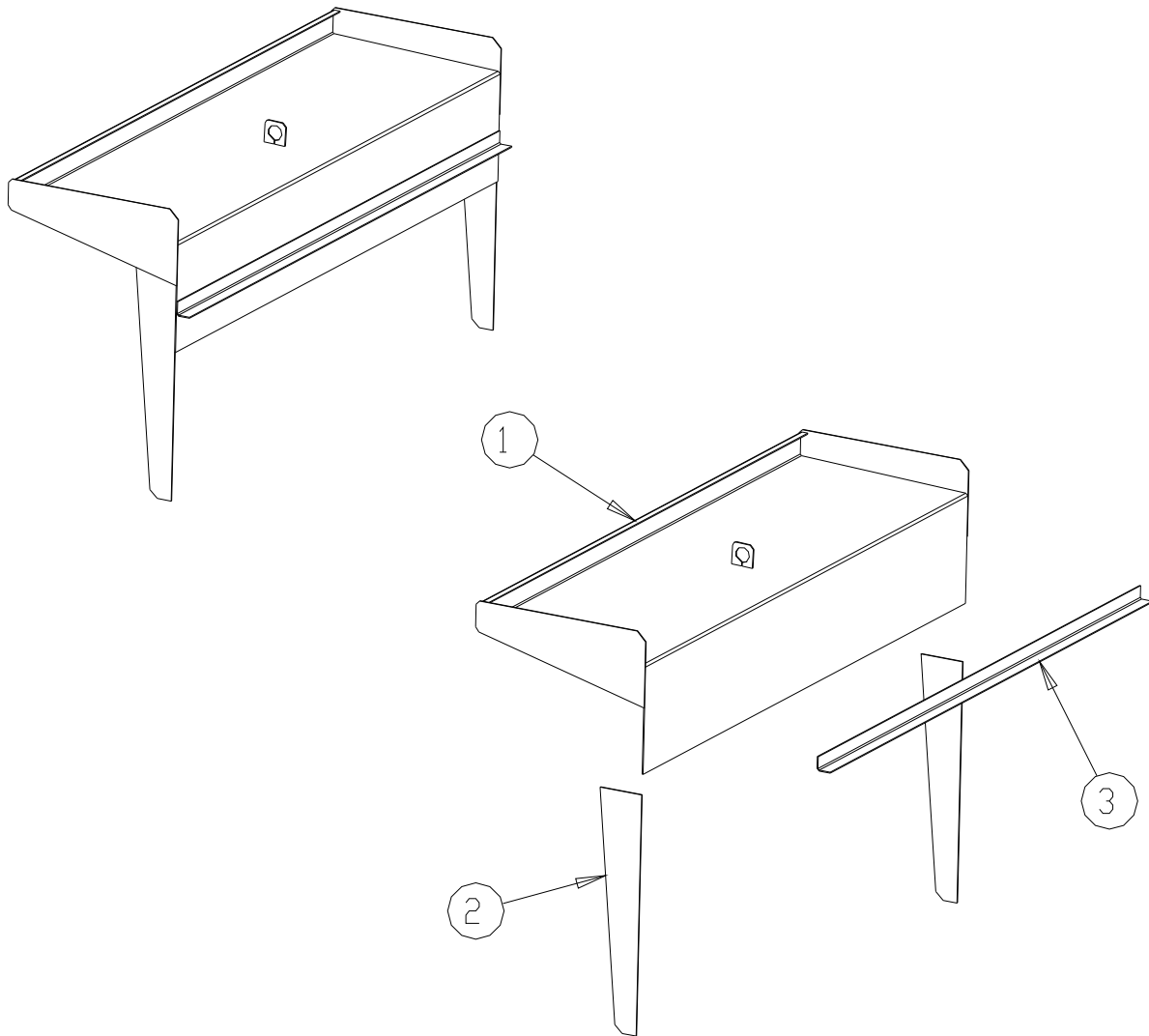


DUMP BODY ASSEMBLY PARTS LIST

ITEM	P/N	DESCRIPTION	QTY
1	00121-370-11	WELDMENT, DUMP BODY 10-30 CS	1
	00121-370-06	WELDMENT, DUMP BODY 10-28 SS	1
2	00002-212-05	PACKAGE, CAB SHIELD CS	1
	00002-212-0D	PACKAGE, CAB SHIELD SS	1
3	00121-470-02	WELDMENT, 6 PANEL TAILGATE W/FEEDGATE CS	1
	00121-470-01	WELDMENT, 6 PANEL TAILGATE W/FEEDGATE SS	1
	00121-371-02	WELDMENT, 6 PANEL TAILGATE SS	1
3A	04014-216-00	ASSEMBLY, CLEVIS PIN W/GREASE ZIRK	2
3B	04014-201-01	PIN, LYNCH	2
4	X-0144-337-01	WELDMENT, ASPHALT LIP CS	1
	X-0144-337-02	WELDMENT, ASPHALT LIP SS	1
4A	00121-514-01	PLATE, QUICK DETACH CS	2
	00121-514-02	PLATE, QUICK DETACH SS	2
4B	06070-003-00	PIN, HINGE	2
4C	04003-003-05	BOLT, 3/8-16 X 1.5" HH G5 ZP	8
	04003-003-28	BOLT, 3/8-16 X 1.5" HH SS	8
4D	04004-002-08	FLATWASHER, 3/8" U.S.S. ZP	16
	04004-002-20	FLATWASHER, 3/8" U.S.S. SS	16
4E	04004-001-07	LOCKWASHER, 3/8" MED SPLIT ZP	8
	04004-001-14	LOCKWASHER, 3/8" MED SPLIT SS	8
4F	04003-801-09	NUT, 3/8-16 HH G2 ZP	8
	04003-801-17	NUT, 3/8-16 HH SS	8
5	X-0142-217-01	ASSEMBLY, FOLD-UP LADDER CS	1
	X-0142-217-03	ASSEMBLY, FOLD-UP LADDER SS	1
5A	04003-006-08	BOLT, 5/8-11 X 1.75" HH G5 ZP	4
	04003-006-21	BOLT, 5/8-11 X 1.75" HH SS	4
5B	04004-002-56	FLATWASHER, 5/8" SAE CS	4
	04004-002-57	FLATWASHER, 5/8" SAE SS	4
5C	04004-001-10	LOCKWASHER, 5/8" MED SPLIT ZP	4
	04004-001-15	LOCKWASHER, 5/8" MED SPLIT SS	4
5D	04003-801-12	NUT, 5/8-11 HH G2 ZP	4
	04003-801-22	NUT, 5/8-11 HH SS	4
NS	00117-517-03	ACCESSORY, DUMP BODY	4

NS - NOT SHOWN

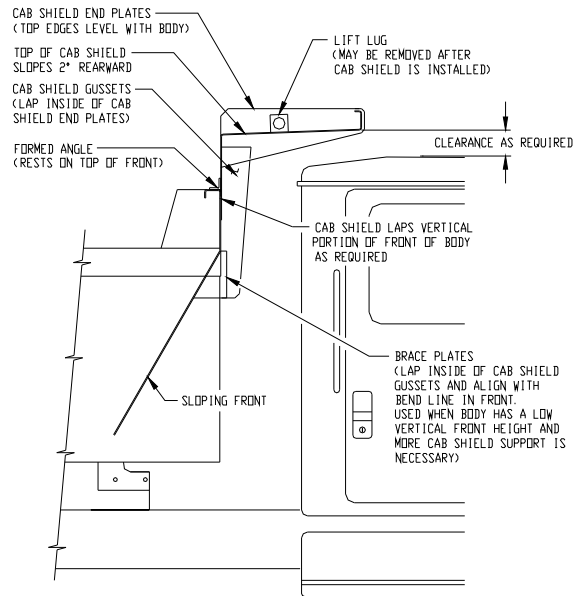
CAB SHIELD ASSEMBLY & PARTS LIST



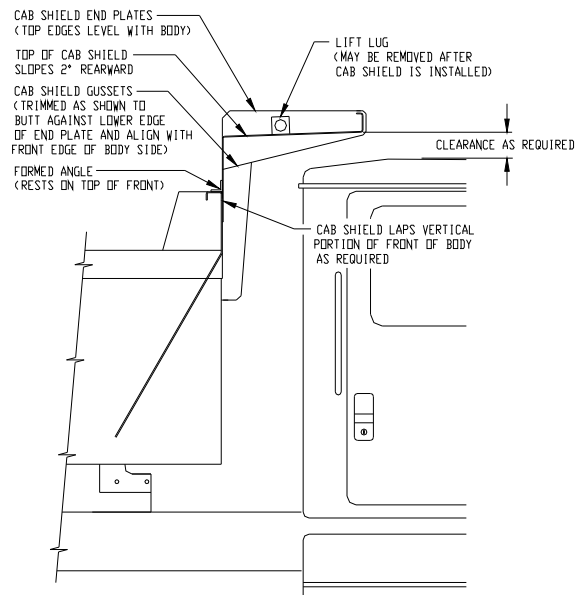
CAB SHIELD ASSEMBLY & PARTS LIST

ITEM	P/N	DESCRIPTION	QTY
1	00112-304-05	CAB SHIELD WELDMENT, CS	1
	00112-304-13	CAB SHIELD WELDMENT, SS	1
2	00112-921-21	GUSSEST, CAB SHIELD, CS	2
	00112-921-23	GUSSEST, CAB SHIELD, SS	2
3	00112-917-09	ANGLE, CAB SHIELD, CS	1
	00112-917-11	ANGLE, CAB SHIELD, SS	1
N/S	00112-927-10	INSTRUCTIONS, CAB SHIELD MOUNTING	1

CAB SHIELD MOUNTING INSTRUCTIONS



NARROW CAB SHIELD (80")

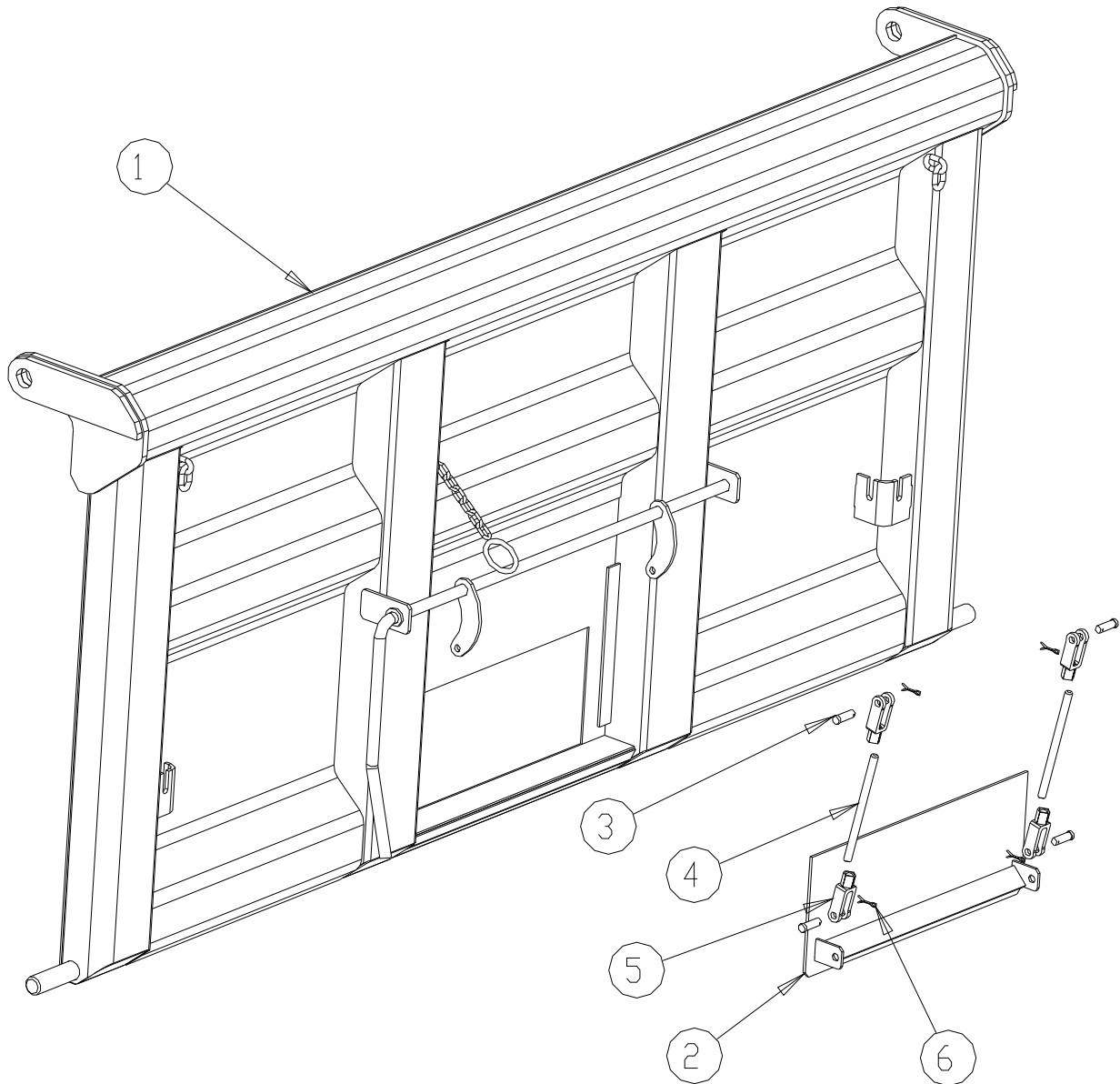


FULL WIDTH CAB SHIELD (84")

INSTALLATION NOTES:

1. TO REDUCE CORROSION, CONTINUOUS WELDS ARE RECOMMENDED IN LOCATIONS WHERE MATERIALS BEING HAULED ARE MORE LIKELY TO SETTLE INTO. OTHER WELDS MAY BE SKIP WELDED.
2. PARTS FURNISHED ARE INTENDED TO ASSEMBLE AS SHOWN. OTHER POSITIONS FOR PARTS ARE ACCEPTABLE TO SUIT VARIOUS CONDITIONS AS LONG AS STRENGTH AND RIGIDITY OF CAB SHIELD ARE MAINTAINED.
3. NARROW CAB SHIELD MAY BE INSTALLED OFF-CENTER AS REQUIRED TO CLEAR VERTICAL EXHAUST PIPE.

TAILGATE WITH FEEDGATE ASSEMBLY & PARTS LIST



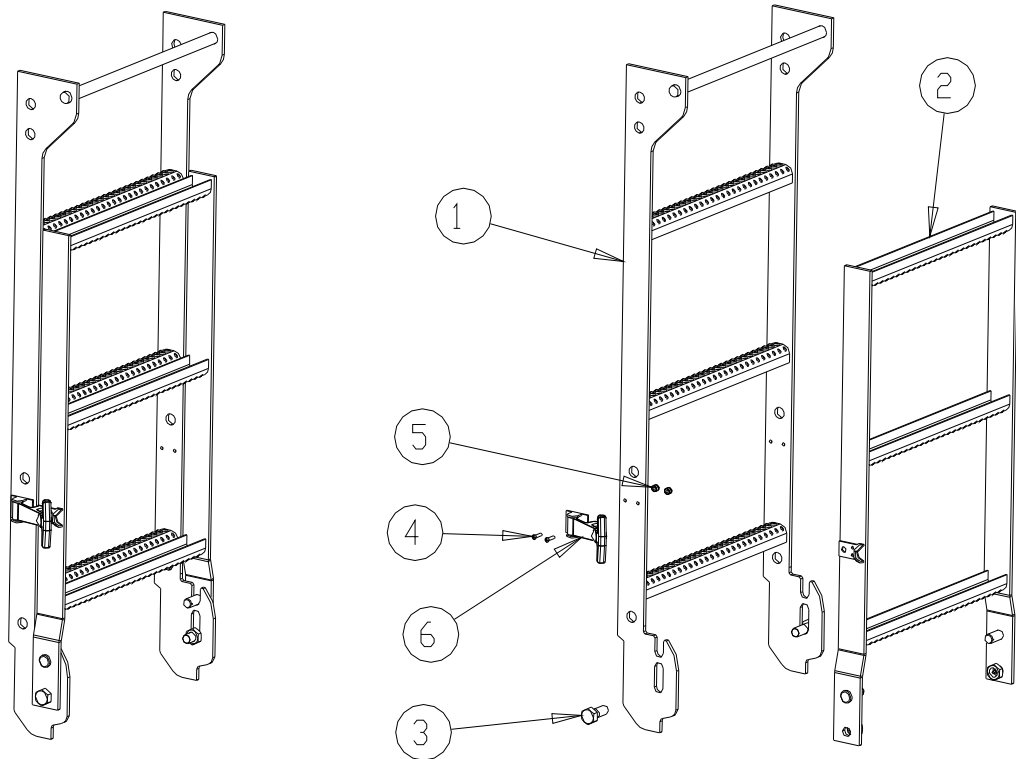
TAILGATE WITH FEEDGATE ASSEMBLY

ITEM	P/N	DESCRIPTION	QTY
1	00121-470-01	TAILGATE WELDMENT SS	1
	00121-470-02	TAILGATE WELDMENT CS	1
2	00121-477-00	CHUTE DOOR WELDMENT SS	1
	00121-477-01	CHUTE DOOR WELDMENT CS	1
3	04014-004-07	CLEVIS PIN 1/2" X 2", SS	4
	04014-004-10	CLEVIS PIN 1/2" X 2", CS ZP	4
4	00120-837-01	THREADED ROD, 1/2-20 X 8", CS ZP	2
	00120-837-02	THREADED ROD, 1/2-20 X 8", SS	2
5	04096-005-00	END YOKE, 1/2-20, SS	4
	04096-006-00	END YOKE, 1/2-20, CS ZP	4
6	04010-003-02	COTTER PIN, 1/8" X 1", CS ZP	4
	04010-003-06	COTTER PIN, 1/8" X 1", SS	4

LADDER ASSEMBLY & PARTS LIST

FOLD-UP LADDER ASSEMBLED

FOLD-UP LADDER EXPLODED



X-0142-217-01 - Assembly, Fold-Up Ladder CS

ITEM #	P/N	DESCRIPTION	QTY
1	X-0142-215-01	Weldment, Upper Ladder, CS	1
2	00118-908-01	Weld, Lower Ladder, CS	1
3	04003-006-03	Bolt, 5/8-11 X 1-1/2 HH G5 ZP	2
4	04003-070-04	Screw, 10-32 X 3/4 PR SS	2
5	04003-804-27	Locknut, 10-32 NI SS	2
6	04019-013-01	Handle, Latch	1

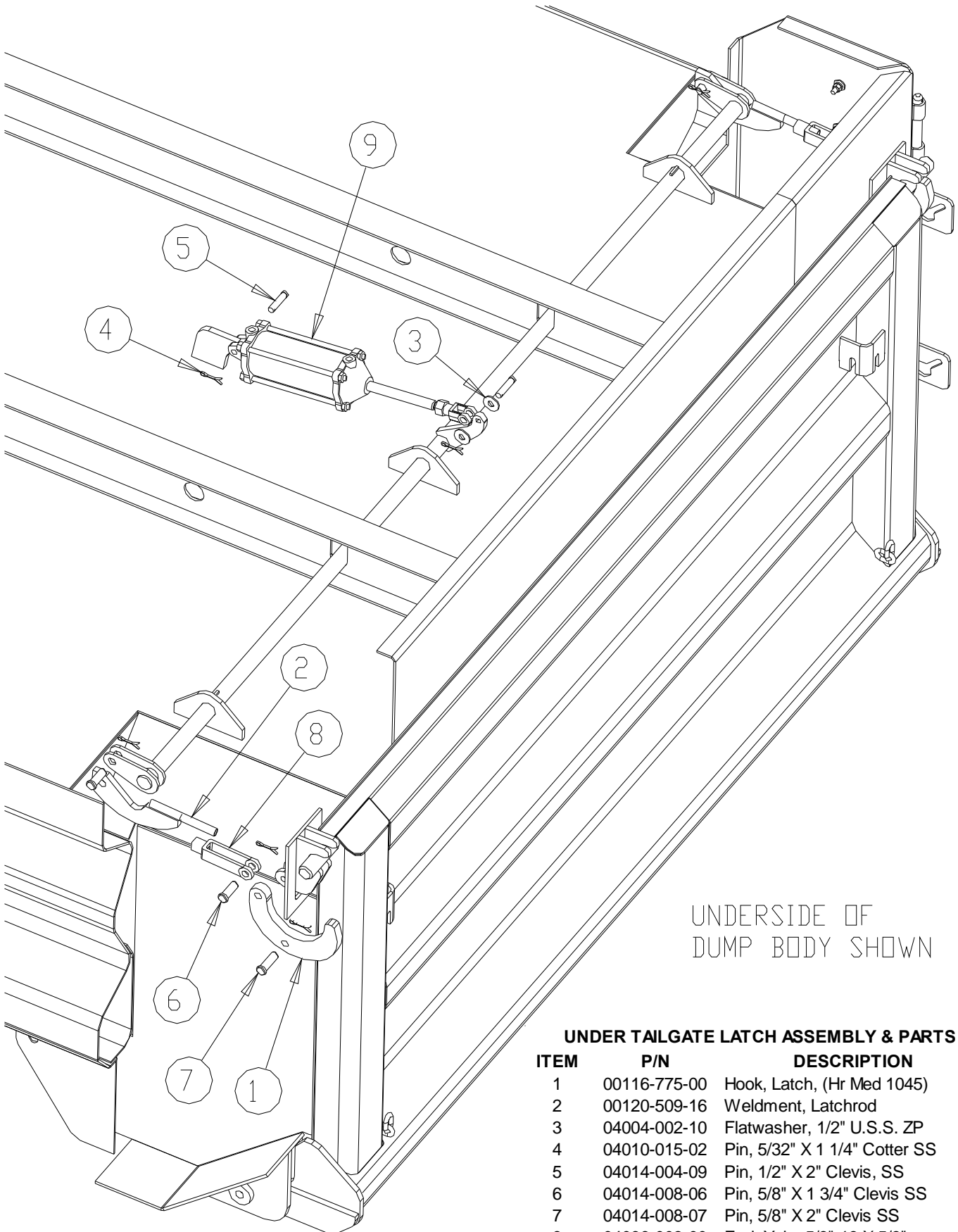
X-0142-217-02 - Assembly, Fold-Up Ladder 304SS

ITEM #	P/N	DESCRIPTION	QTY
1	X-0142-215-02	Weldment, Upper Ladder, SS	1
2	00118-908-02	Weld, Lower Ladder, SS	1
3	04003-006-21	Bolt, 5/8-11 X 1-3/4 HH SS	2
4	04003-070-04	Screw, 10-32 X 3/4 PR SS	2
5	04003-804-27	Locknut, 10-32 NI SS	2
6	04019-024-01	Latch, Flexible Draw	1

X-0142-217-03 - Assembly, Fold-Up Ladder 201SS

ITEM #	P/N	DESCRIPTION	QTY
1	X-0142-215-03	Weldment, Upper Ladder, SS	1
2	00118-908-02	Weld, Lower Ladder, SS	1
3	04003-006-21	Bolt, 5/8-11 X 1-3/4 HH SS	2
4	04003-070-04	Screw, 10-32 X 3/4 PR SS	2
5	04003-804-27	Locknut, 10-32 NI SS	2
6	04019-024-01	Latch, Flexible Draw	1

UNDER TAILGATE LATCH ASSEMBLY & PARTS LIST

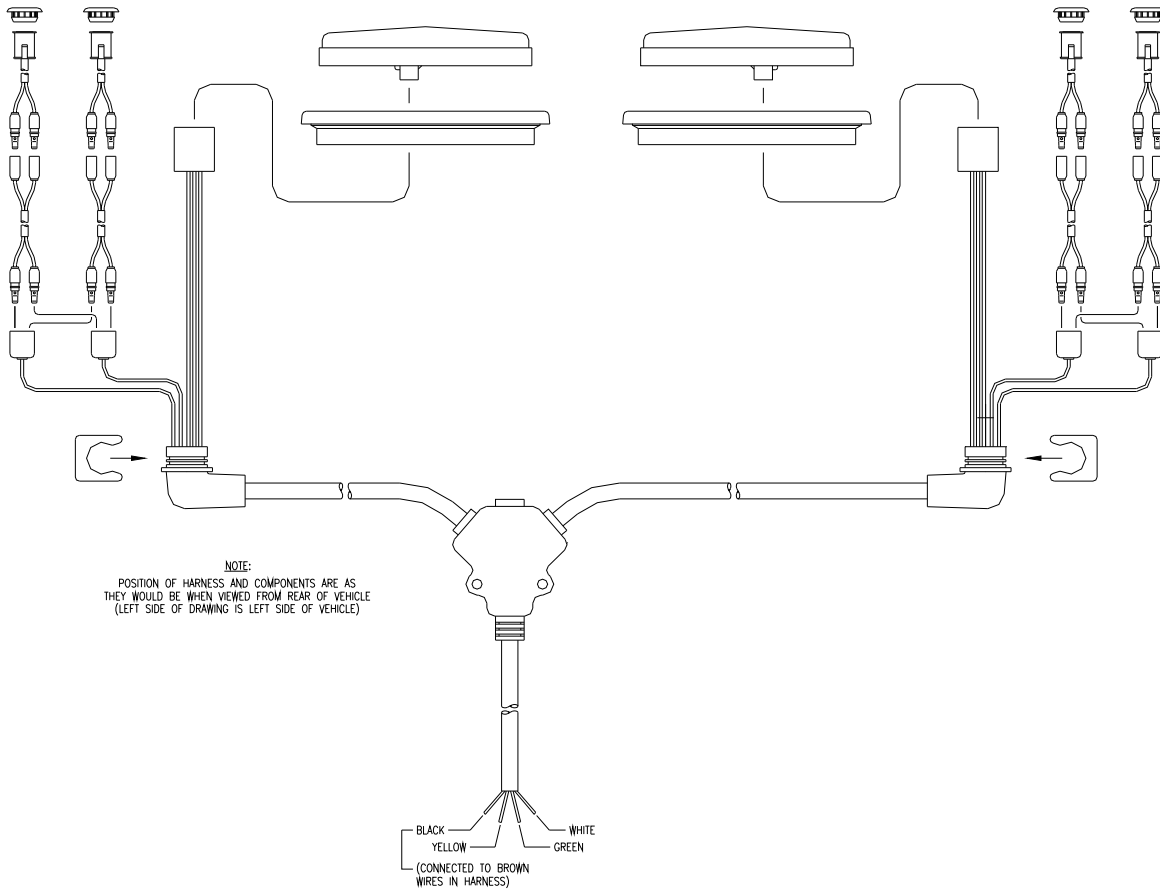


UNDERSIDE OF
DUMP BODY SHOWN

UNDER TAILGATE LATCH ASSEMBLY & PARTS LIST

ITEM	P/N	DESCRIPTION	QTY
1	00116-775-00	Hook, Latch, (Hr Med 1045)	2
2	00120-509-16	Weldment, Latchrod	2
3	04004-002-10	Flatwasher, 1/2" U.S.S. ZP	2
4	04010-015-02	Pin, 5/32" X 1 1/4" Cotter SS	8
5	04014-004-09	Pin, 1/2" X 2" Clevis, SS	2
6	04014-008-06	Pin, 5/8" X 1 3/4" Clevis SS	4
7	04014-008-07	Pin, 5/8" X 2" Clevis SS	2
8	04096-003-00	End, Yoke 5/8"-18 X 5/8"	2
9	04108-006-00	Cylinder, Air 3.5 X 6 Kit	1

LIGHTING SYSTEM ASSEMBLY & PARTS LIST



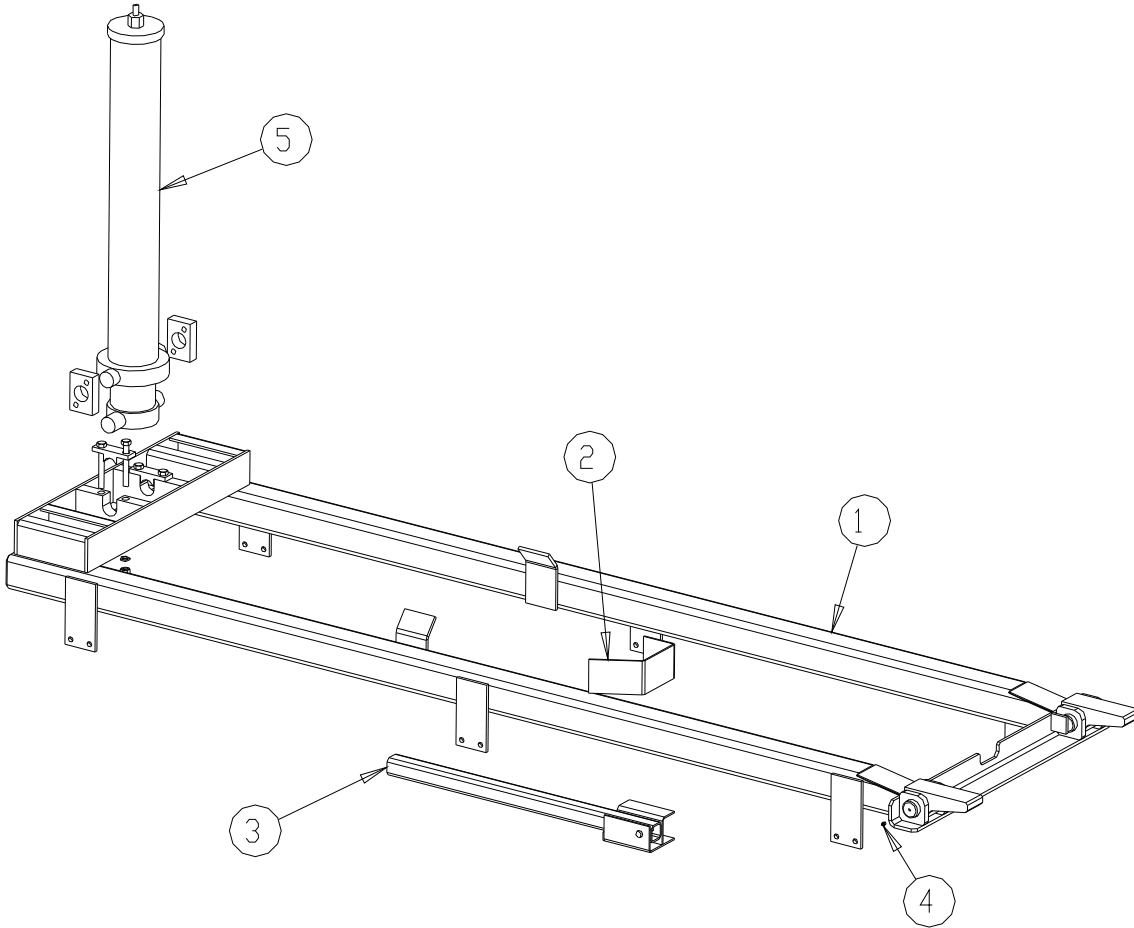
00002-210-03 LIGHTING SYSTEM ASSEMBLY

P/N	DESCRIPTION	QTY
04605-195-02	KIT - LAMP & HARNESS	1
00112-489-06	HARDWARE BAG - NOT SHOWN	1

OPTIONAL LIGHTING (NOT SHOWN)

P/N	DESCRIPTION	QTY
04605-042-00	3-LIGHT RED CLUSTER	

DUMP BODY HOIST W/SUB-FRAME ASSEMBLY & PARTS LIST



0002-208-17 - 10'-28" Dump Body Hoist w/Sub Frame

ITEM #	P/N	DESCRIPTION	QTY
1	00121-395-01	Weldment, Sub Frame, CS	1
2	00121-467-02	Form, Prop Rod Catch, SS	1
3	00121-504-01	Weldment, Prop Rod, CS	1
4	04015-001-00	1/8" NPT Zerk Fitting	2
5	04107-023-14	Cylinder, Hyd. Hoist - Double Acting	1
N/S	00112-489-37	Hardware Carton	1

0002-208-18 - 10'-30" Dump Body Hoist w/Sub Frame

ITEM #	P/N	DESCRIPTION	QTY
1	00121-395-02	Weldment, Sub Frame, CS	1
2	00121-467-02	Form, Prop Rod Catch, SS	1
3	00121-504-01	Weldment, Prop Rod, CS	1
4	04015-001-00	1/8" NPT Zerk Fitting	2
5	04107-023-14	Cylinder, Hyd. Hoist - Double Acting	1
N/S	00112-489-35	Hardware Carton	1

0002-208-19 - 10'-30" Dump Body Hoist w/Sub Frame

ITEM #	P/N	DESCRIPTION	QTY
1	00121-395-01	Weldment, Sub Frame, CS	1
2	00121-467-02	Form, Prop Rod Catch, SS	1
3	00121-504-01	Weldment, Prop Rod, CS	1
4	04015-001-00	1/8" NPT Zerk Fitting	2
5	04107-023-05	Cylinder, Hyd. Hoist - Single Acting	1
N/S	00112-489-37	Hardware Carton	1

THIS PAGE LEFT INTENTIONALLY BLANK

SERIAL NUMBER DECAL INFORMATION

- When ordering parts or requesting information or assistance, always include the information listed below.
- The description, part number, and serial number for the Dump Body are shown on Serial Number Decal.
- The spaces below are provided as a convenient place to record important information and numbers; just fill in the blanks!

DESCRIPTION _____

PART NUMBER _____

SERIAL NUMBER _____

**HOIST CYLINDER
SERIAL NUMBER** _____

DATE PURCHASED _____

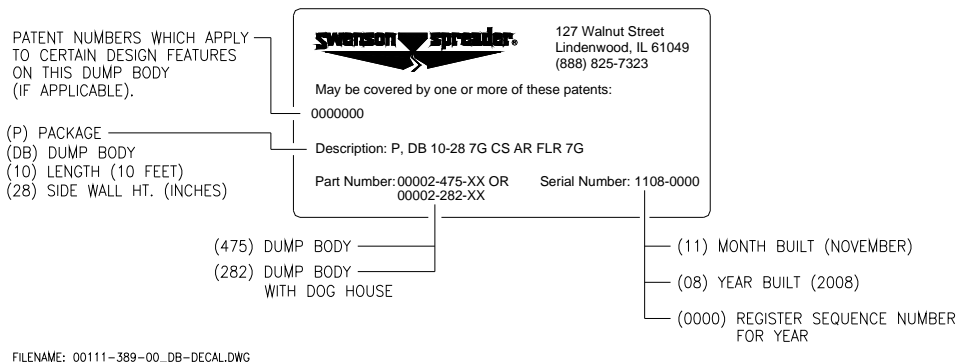
PURCHASED FROM _____

DEALER'S SERVICE DEPARTMENT PHONE NUMBER

EXPLANATION OF SERIAL NUMBER DECAL

NOTE: Numbers shown on decal below are for example purposes only! Refer to decal on Dump Body for recording numbers above (Decal location on Dump Body: Front Passenger Side).

EXPLANATION OF SERIAL NUMBER DECAL



CALL YOUR AUTHORIZED SWENSON SPREADER DEALER FOR PARTS AND SERVICE
SWENSON SPREADER (815) 393-4455
TOLL FREE (888) 825-7323
FAX (866) 310-0300
email: swensonsales@swensonspreader.com



Dealers have the responsibility of calling to the attention of their customers the following warranty prior to acceptance of an order from that customer for any SWENSON® product.

WARRANTY

WHAT THIS WARRANTY COVERS

Swenson Spreader LLC (hereinafter "Swenson") is committed to assuring Customer satisfaction with the Spreader (hereinafter "Product"). Swenson warrants to the original owner (hereinafter "Purchaser") of the Product to be free from defects in material and workmanship for the following term: Swenson warrants ALL PARTS AND ASSEMBLIES to be free from defects in material and workmanship for a period of one year from the date of purchase. Installation of the Product must be in accordance with Swenson's instructions. This warranty extends to the Purchaser and may not be assigned without the prior written approval of Swenson; except a distributor may assign this warranty to the first titled owner of the Product.

If a Product has a defect in material or workmanship covered by the warranty, Swenson will (at our option) either replace or repair said part. Swenson's has sole discretion as to repair of defects covered by this warranty, or replacement of the Product. Swenson's responsibilities as described herein shall not exceed the amount of the purchase of the Product.

WHAT THIS WARRANTY DOES NOT COVER

Swenson's warranty does not extend to Product which have been misused, abused, improperly installed, repaired with non-genuine Swenson parts, improperly cared for, if materials such as lava rock or cinders are used, or for which payment has not been made. The warranty is void if repairs or alterations to the Product are made by unauthorized persons, or the Product serial numbers have been altered or defaced.

All gasoline engines and hydraulic pumps are warranted by their manufacturer and not by Swenson Spreader LLC. Electrical or hydraulic components are not to be disassembled without the express written permission of Swenson Spreader LLC.

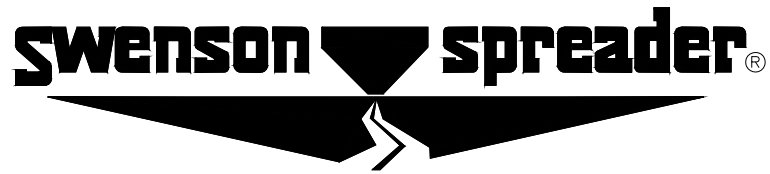
THERE ARE NO WARRANTIES, EXPRESS OR IMPLIED, WHICH EXTEND BEYOND THE DESCRIPTION ON THE FACE HEREOF. THERE IS NO IMPLIED WARRANTY OF MERCHANTABILITY OR FITNESS FOR A PARTICULAR PURPOSE. SWENSON'S MAXIMUM OBLIGATION AND LIABILITY UNDER THIS WARRANTY SHALL BE LIMITED TO AN AMOUNT EQUAL TO THE PRESENT PURCHASE PRICE FOR THE SWENSON PRODUCT. SWENSON SHALL NOT BE LIABLE FOR ANY LOSS OR DAMAGE, WHETHER DIRECT OR INDIRECT, INCIDENTAL, CONSEQUENTIAL OR OTHERWISE ARISING OUT OF BREACH OF THIS WRITTEN WARRANTY OR ANY IMPLIED WARRANTY. Some states do not allow limitations on how long an implied warranty will last or the exclusion or limitation of incidental or consequential damages.

Defective parts returned to Swenson Spreader LLC must be accompanied by the following information:

RGA #	_____
Spreader Model	_____
Serial Number	_____
Date Installed	_____
Where Purchased	_____

Purchaser accepts these terms and warranty limitations unless product is returned within fifteen days for full refund of purchase price.

Effective 4/15/05



SWENSON SPREADER LLC
P.O. BOX 127
LINDENWOOD, ILLINOIS 61049-0127

PHONE: (815)393-4455
TOLL FREE: (888)825-7323
SALES & SERVICE FAX: (866)310-0300

email: swensonsales@swensonspreader.com
website: www.swensonspreader.com

**IMPORTANT
INFORMATION
ENCLOSED**