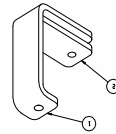


Parts for Hydraulic Interlock Kits.

Part listing for 00002-543-01

can be on page 3.

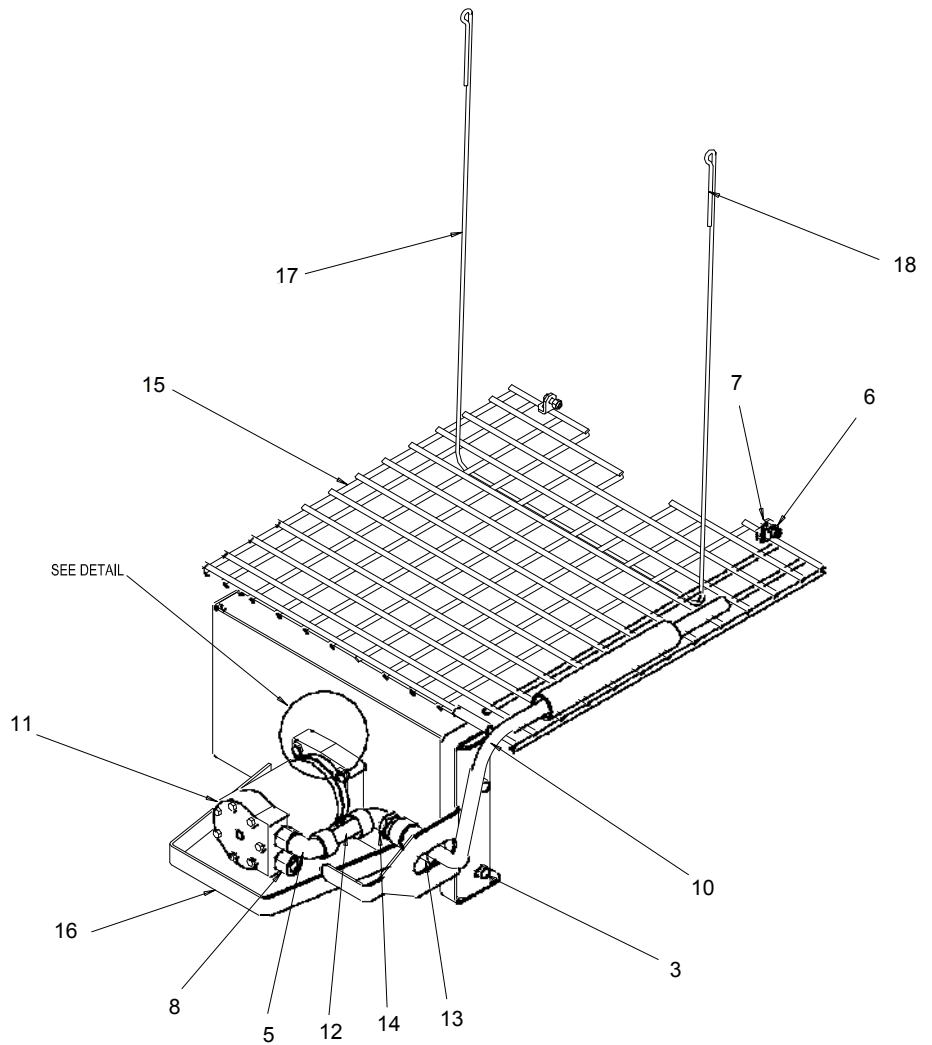
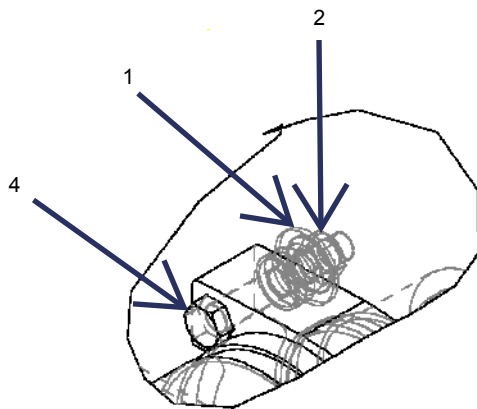


Screen Hold down Bracket

Part number 00117-988-00

NOTES:

1. USE PIPE THREAD JOINT COMPOUND ON ALL PIPE JOINTS.
2. COIL AND SECURE FOR SHIPPING EXCESS HOSE COMING OUT OF TUBE ON AUGER GUARD
3. MUST BE ASSEMBLED SUCH THAT WHEN QUICK DISCONNECTS ARE ASSEMBLED THE LEVER ON AUGER GUARD CANNOT BE LIFTED ENOUGH TO OPEN.
4. RUN WIRE ROPE THRU BARS IN AUGER GUARD AND INTO HOLE IN SCREEN HOLD DOWN BRACKETS.
5. PULL TIGHT SO THAT THERE IS TENSION ON CABLE AND SECURE WITH WIRE CLAMPS.



19	04067-030-00	WIRE ROPE CLIP	2
17	04067-027-00	WIRE ROPE 1/4"	10.50 FT
16	00122-655-02	WELD, REAR MOTOR MTG	1
15	00122-280-01	WELD, AUGER GUARD	1
14	04119-113-00	QUICK DISCONNECT, 3/4 MALE	1
13	04119-112-00	QUICK DISCONNECT, 3/4 FEMALE	1
12	04110-028-05	NIPPLE, 3/4" X 3"	1
11	04101-094-00	MOTOR HYDRAULIC	1
10	04120-076-04	HOSE, 3/4 X 84	1
9	04008-005-01	BUSHING, SPACER SS	4
8	04121-008-04	ADAPTER, 1-1/16-12 X 3/4 NPT	2
7	04003-003-20	3/8"-16x1" HH BOLT SS	2
6	04003-804-08	3/8"-16 NYLON LOCKNUT SS	2
5	04110-006-05	3/4 STREET EL (PIPE)	2
4	04003-005-29	1/2"-13X3" HH BOLT SS	4
3	04003-005-17	1/2"-13x1" HH BOLT S.S.	4
2	04003-806-16	1/2"-13 FLANGE NUT SS	8
1	04004-002-22	1/2" FLATWASHER S.S.	4
ITEM	PART NUMBER	DESCRIPTION	QTY
SUB-ASSY. EVA HYD INTERLOCK S2			

18	04067-030-00	WIRE ROPE CLIP	2
17	04067-027-00	WIRE ROPE 1/4"	10.50 FT
16	00122-655-01	WELD, REAR MOTOR MTG	1
15	00122-280-01	WELD, AUGER GUARD	1
14	04119-113-00	QUICK DISCONNECT, 3/4 MALE	1
13	04119-112-00	QUICK DISCONNECT, 3/4 FEMALE	1
12	04110-028-05	NIPPLE, 3/4" X 3"	1
11	04101-094-00	MOTOR HYDRAULIC	1
10	04120-076-04	HOSE, 3/4 X 84	1
9	04008-005-01	BUSHING, SPACER SS	4
8	04121-008-04	ADAPTER, 1-1/16-12 X 3/4 NPT	2
7	04003-003-03	3/8"-16x1" HH BOLT ZP	2
6	04003-804-02	3/8"-16 NYLON LOCKNUT ZP	2
5	04110-006-05	3/4 STREET EL (PIPE)	2
4	04003-005-10	1/2"-13X3" HH BOLT ZP	4
3	04003-005-01	1/2"-13x1" HH BOLT ZP	4
2	04003-806-03	1/2"-13 FLANGE NUT ZP	8
1	04004-002-10	1/2" FLATWASHER ZP	4
ITEM	PART NUMBER	DESCRIPTION	QTY
SUB-ASSY. EVA HYD INTERLOCK F0			

18	04067-030-00	CLIP, WIRE ROPE	2
17	04067-027-00	WIRE ROPE 1/4"	10.50 FT
16	00122-655-03	WELD, REAR MOTOR MTG	1
15	00122-280-01	WELD, AUGER GUARD	1
14	04119-113-00	QUICK DISCONNECT, 3/4 MALE	1
13	04119-112-00	QUICK DISCONNECT, 3/4 FEMALE	1
12	04110-028-05	NIPPLE, 3/4" X 3"	1
11	04101-094-00	MOTOR HYDRAULIC	1
10	04120-076-04	HOSE, 3/4 X 84	1
9	04008-005-01	BUSHING, SPACER SS	4
8	04121-008-04	ADAPTER, 1-1/16-12 X 3/4 NPT	2
7	04003-003-20	3/8"-16x1" HH BOLT SS	2
6	04003-804-08	3/8"-16 NYLON LOCKNUT SS	2
5	04110-006-05	3/4 STREET EL (PIPE)	2
4	04003-005-29	1/2"-13X3" HH BOLT SS	4
3	04003-005-17	1/2"-13x1" HH BOLT S.S.	4
2	04003-806-16	1/2"-13 FLANGE NUT SS	8
1	04004-002-22	1/2" FLATWASHER S.S.	4
ITEM	PART NUMBER	DESCRIPTION	QTY
SUB-ASSY. EVA HYD INTERLOCK F0			