



SUBJECT: EVA Hydraulic Interlock Retrofit Kit

To all concerned Owners & Operators

Of Auger Style V-Box Spreaders. Through Product Growth Development, Swenson has designed an additional feature that can be retrofit on existing EVAs. This Hydraulic Retrofit Kit will provide for the normal operation of an EVA spreader while providing a safe working environment in the maintenance or repair of the spreader.

Corrective Action:

A hydraulic interlock system was design to interrupt the flow of hydraulic fluid to the auger motor upon actuation.

Two retrofit kits have been designed for all EVA manufactured by Swenson Spreaders. These retrofit kits will consist of all parts and instructions for installation on EVA spreaders with or without feed gates.

We are currently reviewing all orders of EVA spreaders and will be contacting those customers with details on how to acquire these retrofit kits.

To install these retrofit kits, part number 00002-543-00 or 00002-543-01, for installation on EVAs' without or with feed gates respectively will need to be ordered.

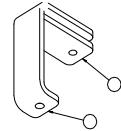
Part drawing, part listings and instruction sheets for the above mentioned kits can be seen can be seen on the following pages.

	Route To:			
Initial	President/Owner	Sales Manager	Service Manager	Parts Manager

Parts for Hydraulic Interlock Kits.

Part listing for 00002-543-01

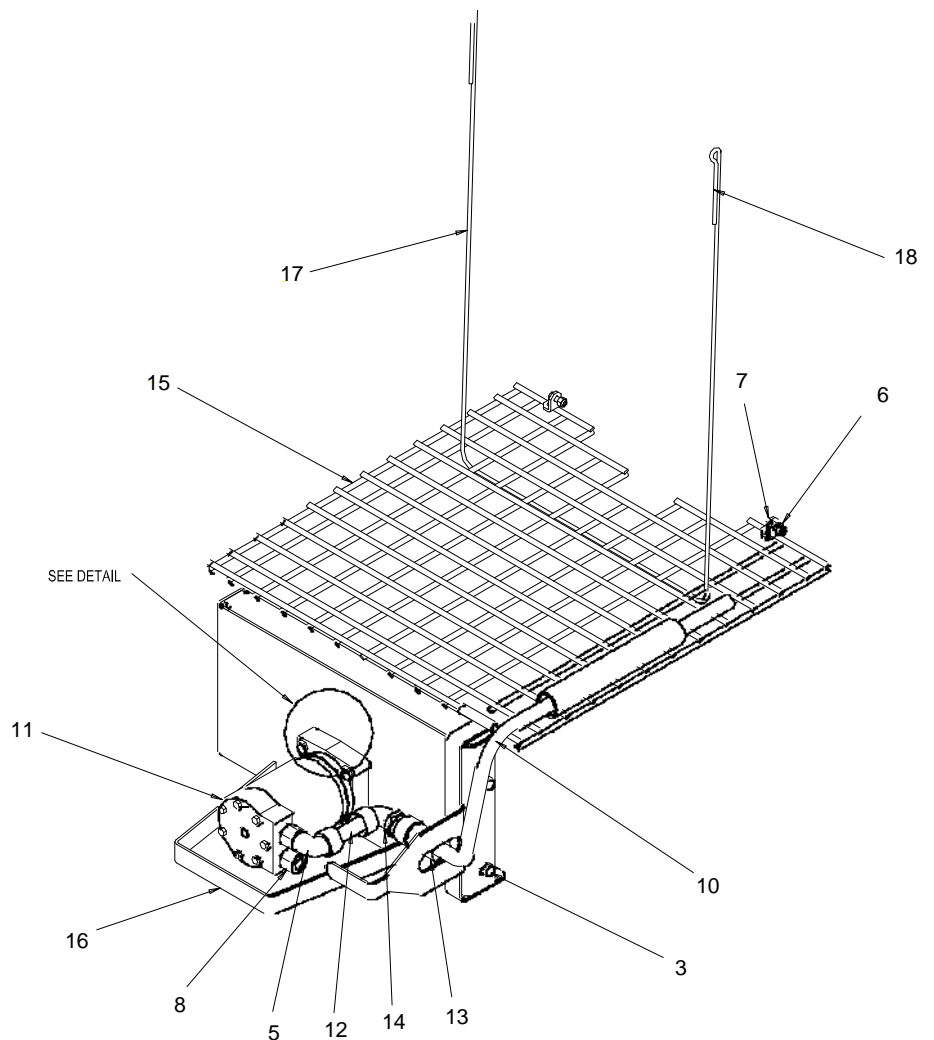
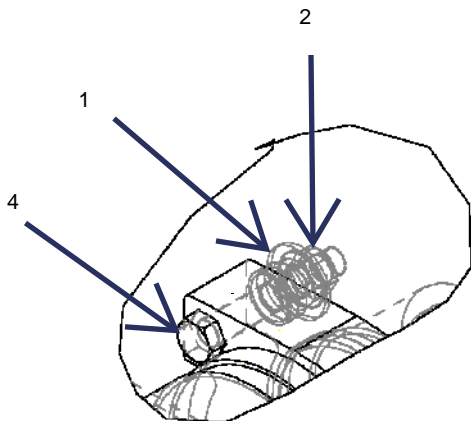
can be on page 3.



Screen Hold down Bracket
Part number 00117-988-00

NOTES:

1. USE PIPE THREAD JOINT COMPOUND ON ALL PIPE JOINTS.
2. COIL AND SECURE FOR SHIPPING EXCESS HOSE COMING OUT OF TUBE ON AUGER GUARD
3. MUST BE ASSEMBLED SUCH THAT WHEN QUICK DISCONNECTS ARE ASSEMBLED THE LEVER ON AUGER GUARD CANNOT BE LIFTED ENOUGH TO OPEN.
4. RUN WIRE ROPE THRU BARS IN AUGER GUARD AND INTO HOLE IN SCREEN HOLD DOWN BRACKETS.
5. PULL TIGHT SO THAT THERE IS TENSION ON CABLE AND SECURE WITH WIRE CLAMPS.



SHOWN WITH FEED GATE AUGER GUARD

19	04067-030-00	WIRE ROPE CLIP	2
17	04067-027-00	WIRE ROPE 1/4"	10.50 FT
16	00122-655-02	WELD, REAR MOTOR MTG	1
15	00122-280-01	WELD, AUGER GUARD	1
14	04119-113-00	QUICK DISCONNECT, 3/4 MALE	1
13	04119-112-00	QUICK DISCONNECT, 3/4 FEMALE	1
12	04110-028-05	NIPPLE, 3/4" X 3"	1
11	04101-094-00	MOTOR HYDRAULIC	1
10	04120-076-04	HOSE, 3/4 X 84	1
9	04008-005-01	BUSHING, SPACER SS	4
8	04121-008-04	ADAPTER, 1-1/16-12 X 3/4 NPT	2
7	04003-003-20	3/8"-16x1" HH BOLT SS	2
6	04003-804-08	3/8"-16 NYLON LOCKNUT SS	2
5	04110-006-05	3/4 STREET EL (PIPE)	2
4	04003-005-29	1/2"-13X3" HH BOLT SS	4
3	04003-005-17	1/2"-13x1" HH BOLT S.S.	4
2	04003-806-16	1/2"-13 FLANGE NUT SS	8
1	04004-002-22	1/2" FLATWASHER S.S.	4
ITEM	PART NUMBER	DESCRIPTION	QTY
SUB-ASSY EVA INTERLOCK FG S2			

NOTE: List of materials for non-feed gate units are same except item 15, auger guard. Auger guard on non-feed gate units is 00122-280-00. All other parts identical.

18	04067-030-00	WIRE ROPE CLIP	2
17	04067-027-00	WIRE ROPE 1/4"	10.50 FT
16	00122-655-01	WELD, REAR MOTOR MTG	1
15	00122-280-01	WELD, AUGER GUARD	1
14	04119-113-00	QUICK DISCONNECT, 3/4 MALE	1
13	04119-112-00	QUICK DISCONNECT, 3/4 FEMALE	1
12	04110-028-05	NIPPLE, 3/4" X 3"	1
11	04101-094-00	MOTOR HYDRAULIC	1
10	04120-076-04	HOSE, 3/4 X 84	1
9	04008-005-01	BUSHING, SPACER SS	4
8	04121-008-04	ADAPTER, 1-1/16-12 X 3/4 NPT	2
7	04003-003-03	3/8"-16x1" HH BOLT ZP	2
6	04003-804-02	3/8"-16 NYLON LOCKNUT ZP	2
5	04110-006-05	3/4 STREET EL (PIPE)	2
4	04003-005-10	1/2"-13X3" HH BOLT ZP	4
3	04003-005-01	1/2"-13x1" HH BOLT ZP	4
2	04003-806-03	1/2"-13 FLANGE NUT ZP	8
1	04004-002-10	1/2" FLATWASHER ZP	4
ITEM	PART NUMBER	DESCRIPTION	QTY
SUB-ASSY EVA INTERLOCK CS			

18	04067-030-00	CLIP, WIRE ROPE	2
17	04067-027-00	WIRE ROPE 1/4"	10.50 FT
16	00122-655-03	WELD, REAR MOTOR MTG	1
15	00122-280-01	WELD, AUGER GUARD	1
14	04119-113-00	QUICK DISCONNECT, 3/4 MALE	1
13	04119-112-00	QUICK DISCONNECT, 3/4 FEMALE	1
12	04110-028-05	NIPPLE, 3/4" X 3"	1
11	04101-094-00	MOTOR HYDRAULIC	1
10	04120-076-04	HOSE, 3/4 X 84	1
9	04008-005-01	BUSHING, SPACER SS	4
8	04121-008-04	ADAPTER, 1-1/16-12 X 3/4 NPT	2
7	04003-003-20	3/8"-16x1" HH BOLT SS	2
6	04003-804-08	3/8"-16 NYLON LOCKNUT SS	2
5	04110-006-05	3/4 STREET EL (PIPE)	2
4	04003-005-29	1/2"-13X3" HH BOLT SS	4
3	04003-005-17	1/2"-13x1" HH BOLT S.S.	4
2	04003-806-16	1/2"-13 FLANGE NUT SS	8
1	04004-002-22	1/2" FLATWASHER S.S.	4
ITEM	PART NUMBER	DESCRIPTION	QTY
SUB-ASSY EVA INTERLOCK FG S3			