

127 Walnut St.  
Lindenwood, IL 61049

Phone: 888-825-7323  
[www.swensonproducts.com](http://www.swensonproducts.com)

Fax: 866-310-0300  
E-mail: [warranty@swensonproducts.com](mailto:warranty@swensonproducts.com)

**SUBJECT: Insert Dump Bodies with dual hydraulic cylinders**

**To all concerned:**

Swenson has learned the Insert Dump Bodies (IDB), when in certain conditions could possibly suffer damage to the upper hoist arms. Units affected will have part numbers of 00002-544-01, 00002-544-05, 00002-544-07, or 00002-544-09. This service bulletin requires the specified work to be performed on all IDB units with dual hydraulic cylinders sold or still remaining in your stock.

**Corrective Action:**

Swenson has developed support plates that can be bolted onto the upper hoist arms to prevent damage to the hoist in certain conditions. Swenson repair kits 00124-359-00 will automatically be sent to distributors who have purchased affected IDB units. Swenson will confirm delivery of the repair kits within 3 to 4 days after shipping and will also confirm that all affected IDB units have been repaired within 30 days. Swenson will reimburse for 1.0 labor hours per IDB. For more information regarding this service bulletin please contact Swenson at 888-825-7323.

**Tools required:** 1/2" drill, clamp, ratchet with a 3/4" socket, 3/4" wrench, pliers, (drill bits will be supplied with repair kit).

Swenson repair kit P/N 00124-359-00 consists of the following:

Description	QTY
Plate, LH Support	1
Plate, RH Support	1
Bolt, 1/2" X 1-1/2" GR 8	6
Locknut, 1/2" Vinyl	6
Cotter Pin	2
1/2" Drill Bit	1
1/4" Drill Bit	1

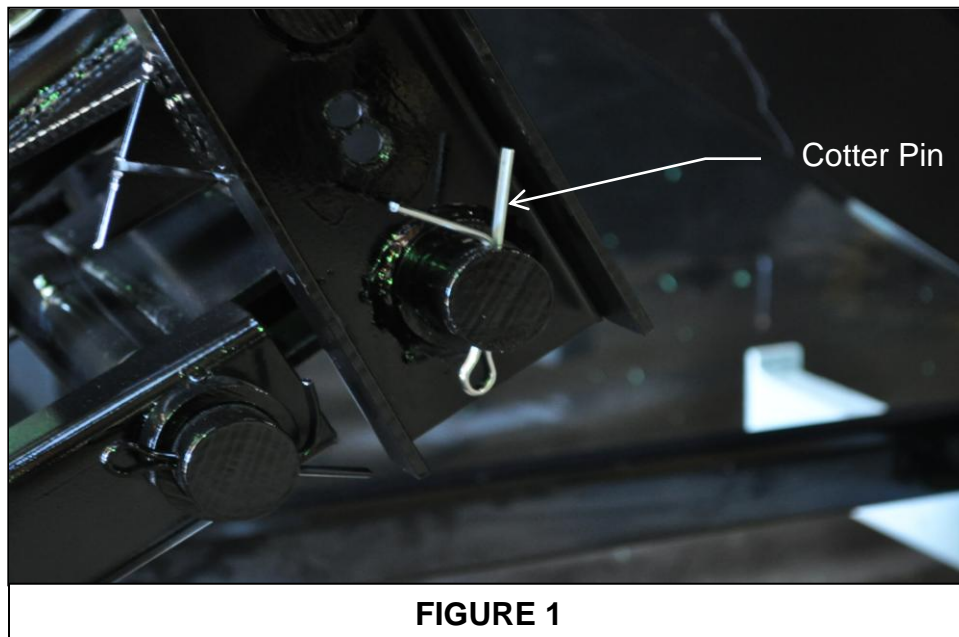
Swenson Products LLC assumes no responsibility for installations not made according to these instructions.

Route To:				
Initial	President/Owner	Sales Manager	Service Manager	Parts Manager

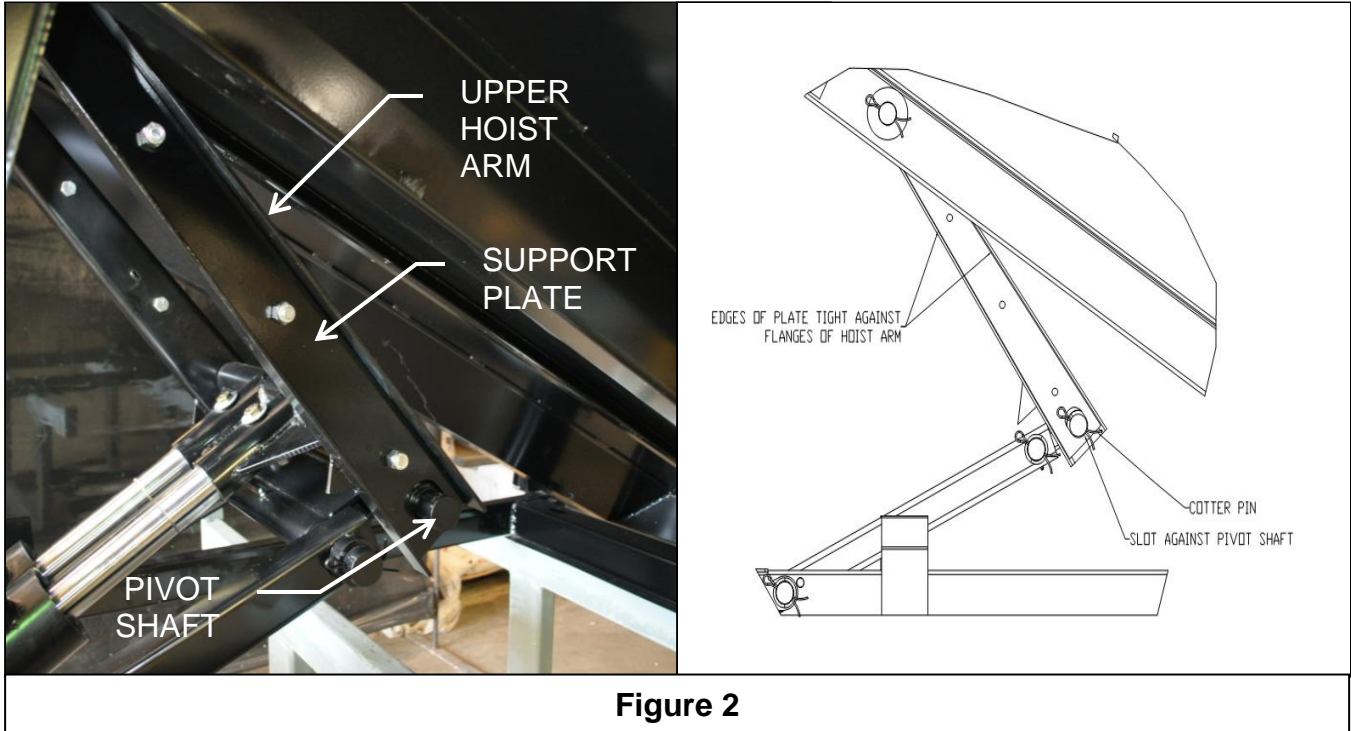
## SUBJECT: Insert Dump Bodies with dual hydraulic cylinders

### Instructions:

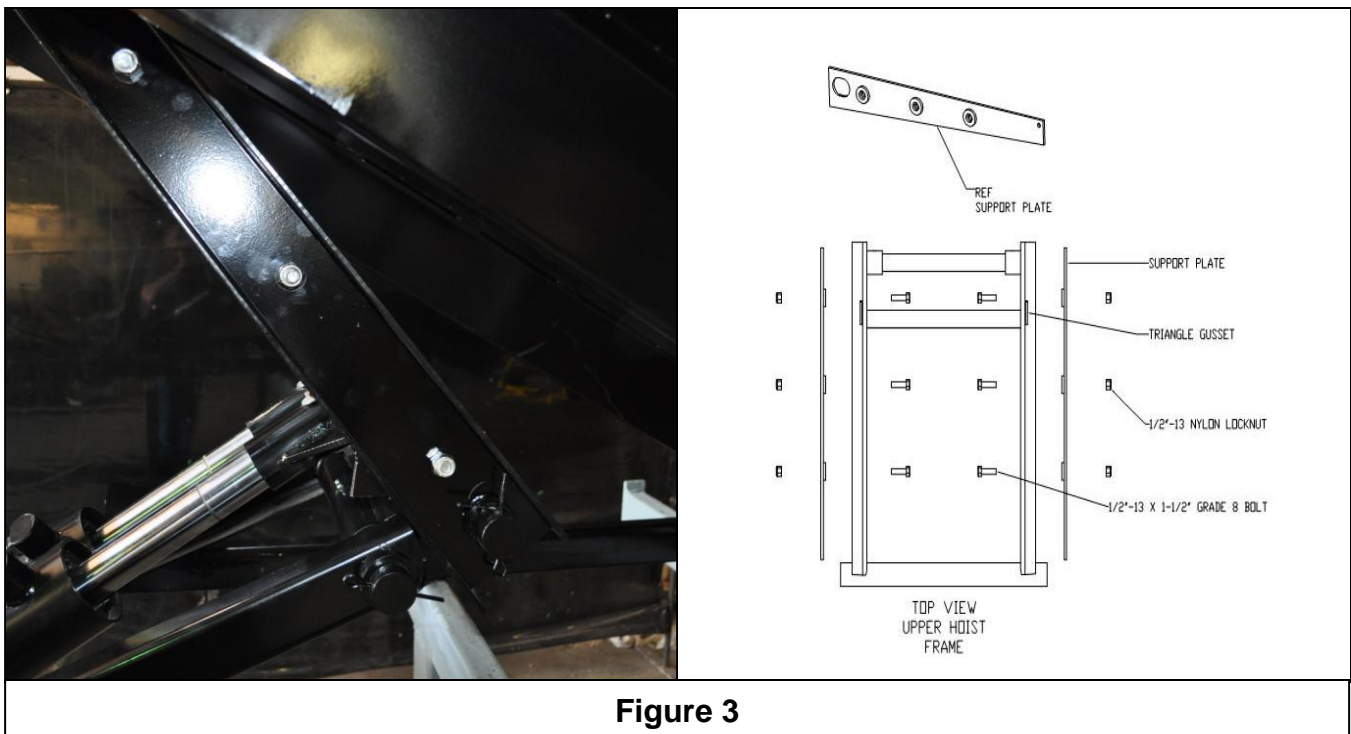
1. Raise **EMPTY** IDB and swing up the safety body prop and lower IDB until safety body prop is fully engaged into the prop seat. A hardwood block should also be placed on the top surface of sub-frame in front of the rear hinges for additional safety.
2. Disconnect electrical power from IDB.
3. Remove cotter pin from driver's side pivot shaft (see figure 1).
4. Fit LH support plate into the driver's side arm of the upper hoist. Pivot shaft should pass through the hole in support plate. Slide support plate towards the front of the IDB until the support plate fits tightly between the flanges of the upper hoist arm or the slot in the support plate stops on the pivot shaft (see figure 2).
5. Clamp the plate to the upper hoist arm and drill the three ½" holes. Drill bits have been provided with repair kit.
6. Install three 1/2" x 1-1/2" bolts and 1/2" vinyl locknuts (see figures 3 & 4).
7. Install new cotter pin into pivot shaft.
8. Trim gusset on the upper hoist arm as shown (see figure 5).
9. Repeat steps 3 thru 8 for passenger side.



**SUBJECT: Insert Dump Bodies with dual hydraulic cylinders**



**Figure 2**



**Figure 3**

**SUBJECT: Insert Dump Bodies with dual hydraulic cylinders**

