

127 Walnut St.
Lindenwood, IL 61049

Phone: 888-825-7323
www.swensonproducts.com

Fax: 866-310-0300
E-mail: warranty@swensonproducts.com

SUBJECT: Dual Motor Electric PV 00002-534-13 & Polyhawk 00002-560-07

1 of 1

To all concerned:

Swenson has learned the drive sprockets on the gearbox and conveyor electric motor may be misaligned which could possibly cause damage to the electric motor shaft. Units with serial numbers 0411-XXXX and newer, or units shipped after 5/1/2011 are not affected by this service bulletin. Please inspect and repair any spreaders in your inventory and submit a warranty claim. Swenson will reimburse for .5 labor hours per unit to perform this repair.

Corrective Action:

Swenson is requesting that all affected units be inspected for the following:

1. Gearbox and conveyor drive motor sprockets are aligned horizontally (see figure 1 below).
2. Shaft keys are aligned with sprockets and set screws are properly tightened (see figure 2 below).
3. Roller chain between conveyor drive motor and gearbox is tensioned to allow for 3/8" deflection midway between sprockets on the slack side of roller chain (see figure 3 below).

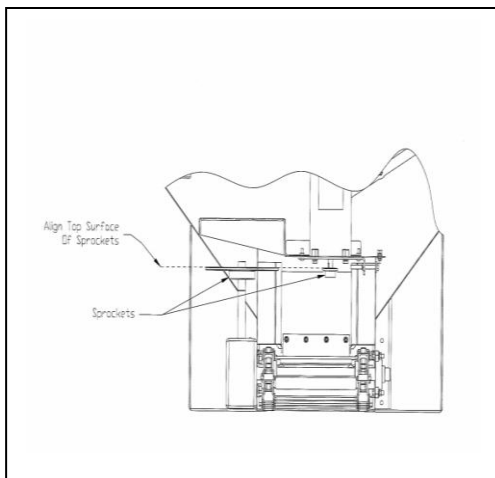


Figure 1

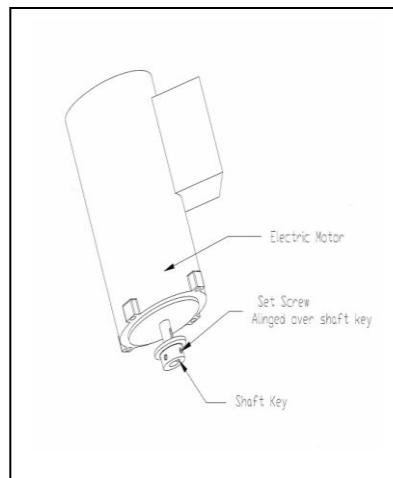


Figure 2

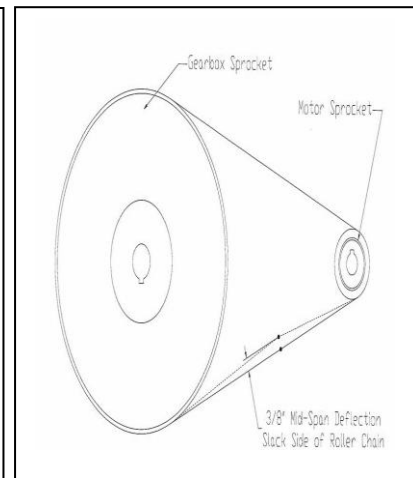


Figure 3

*Swenson Products LLC assumes no responsibility for installations not made according to these instructions.

Route To:				
Initial	President/Owner	Sales Manager	Service Manager	Parts Manager